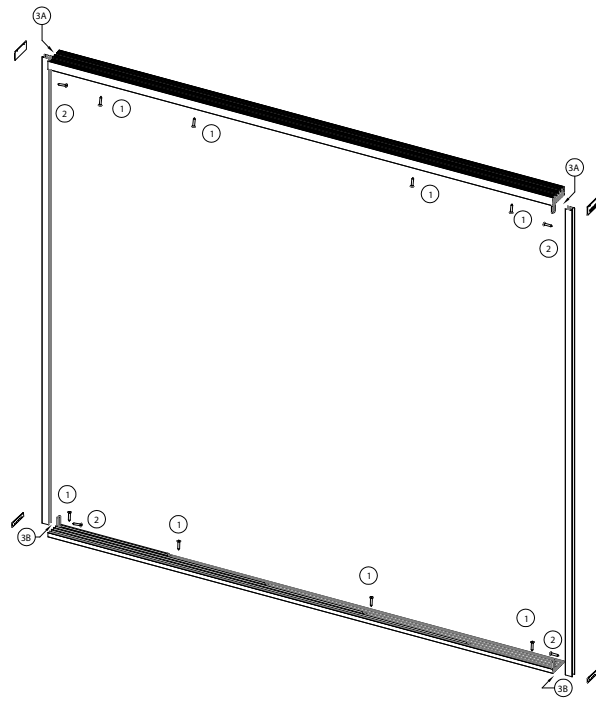


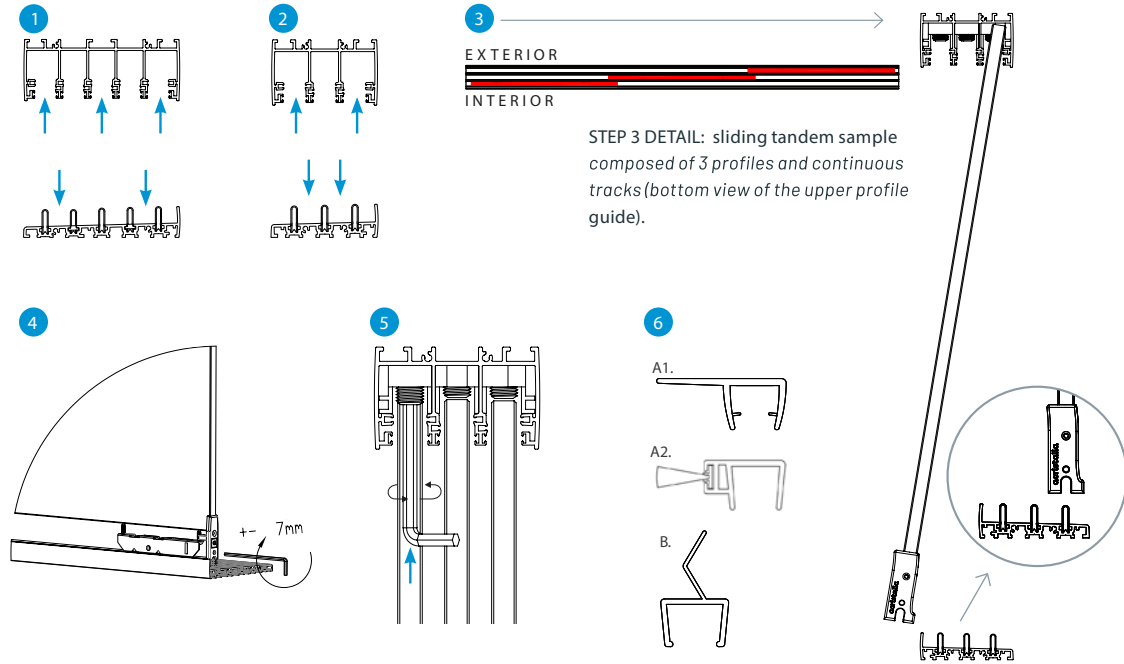
ASSEMBLY INSTRUCTIONS SLIDING CURTAIN TANDEM SERIES

KEY

1. Fastening screws to top and bottom guides.
2. Fastening screws to sideframe anchor.
- 3A. Top sideframe anchor.
- 3B. Bottom sideframe anchor.



STEPS



STEP 3 DETAIL: sliding tandem sample composed of 3 profiles and continuous tracks (bottom view of the upper profile guide).

STEPS

STEP 1 - GUIDES FASTENING

Identify the bottom guide and the top guide of the sliding curtain. After having leveled and plumbed them, place them in the desired position.

To fix the guides, it is recommended to fasten them with flat head screws and fix them on tracks as indicated in figure 1 and 2.

It is very important to level the top guide and the bottom guide for the good functioning of the sliding curtain.

STEP 2 - SIDEFAME FASTENING

Once the guides are fixed, identify the sideframe profiles (optional) and place them on the corresponding top and bottom guide anchor. **Before fastening the profiles, mark the desired length of the sideframe profile and cut it on the indicated zone.**

Finally, fasten the profiles to each anchor, with screws to the respective anchors.

It is necessary to cut the sideframe profile on the right end (the right position will be indicated on the profile).

STEP 3 - PANELS INTRODUCTION IN THE FRAME

To install the profiles, take into account the position of the anti-theft pieces, that are fixed on the top guide profile.

The panels must be inserted in its corresponding tracks, in the area where there is no anti-theft pieces, starting with the top part of the glass and then place the bottom part of the panel onto the stainless steel tracks. Once inserted, make it slide until its final position (red area on the image).

First of all, (inner view) introduce the exterior panel and then add the other panels up to the interior panel.

If the system has optimized tracks, there won't be any anti-theft pieces installed on the fixed profile zone, and this will be installed directly on its final position.

STEP 4 - (OPTION) BEARINGS REGULATION

Once the panels are introduced in the structure, they can be adjusted individually up to 7 mm in height with an Allen key 4 as indicated on figure 4.

STEP 5 - ANTI-THEFT PIECES ADJUSTMENT

Once the profiles are leveled thanks to the bearings, the threaded stud of the anti-theft part must be adjusted with a Key Allen-6, leaving enough space so that it doesn't interfere with the sliding panels. The two parts installed in each panel must be adjusted. Take off the threaded stud if necessary.

STEP 6 - SEALS PLACEMENT

A. The seals aA1 or A2 model will be placed, (depending on the type chosen), at each crossing point of the panels.

B. If the structure does not include sideframes, a bellow seal will be placed at both ends of the sliding curtain (the inferior part of the bellow seal has to be fixed at the panel ending cap with adhesive).

STEP 7 - STRIKES/LOCKS PLACEMENT (in case of locking systems installation)

Once the panels are properly placed, add the plate of the strike at the required height.

Use the height of the inferior screw that fix the lock as reference. The bottom screw has to be placed at the same height.