

USE AND MAINTENANCE MANUAL

WINDBREAK
FLK SERIES

GIBCA  **جيبكا**
GIBCA FURNITURE INDUSTRY CO. LTD. (LLC)

acristalia

1 USE

1.1. ELEVATION OF THE SLIDING GLASS / EXTEND THE WINDBREAK

Put both hands over the top edge of the sliding glass (shorter glass) and apply pressure vertically downwards (Figure 1.1). From here, take off your hands and let the glass rise (Fig 1.2.). The windbreak will keep extended.

FIG. 1.1

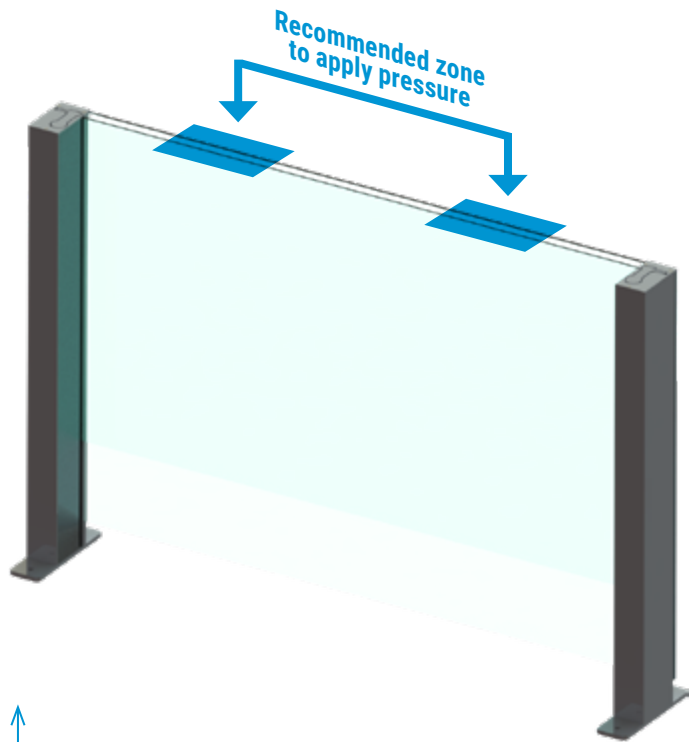
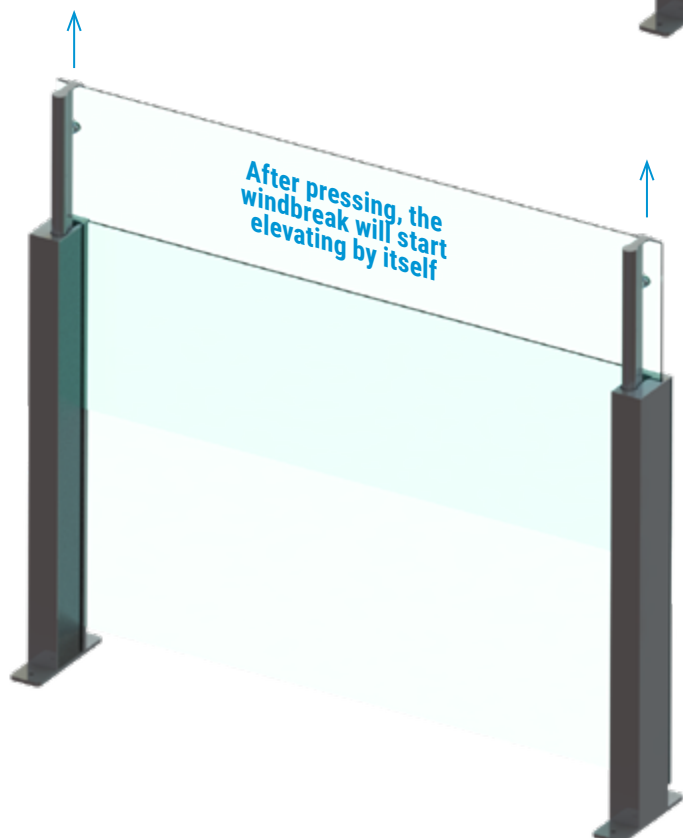


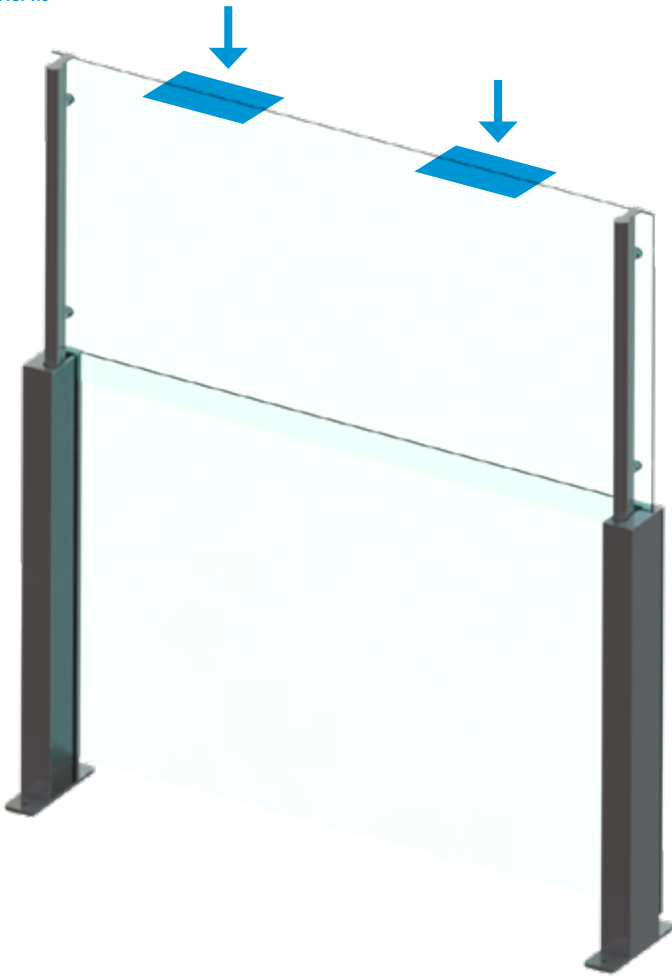
FIG. 1.2



1.2. LOWER THE SLIDING GLASS / CLOSE THE WINDBREAK

Put your hands over the extended glass edge and apply pressure on both sides downwards. (Fig 1.3), leading it to its lower position. where the springs will block the glass down. The windbreak will keep closed.

FIG. 1.3



**If it's needed to stop on any point the elevation of the windbreak, is possible to do this step without being a risk for the product.*

1.3. CLEAN AND MAINTENANCE

Maintenance of aluminium

The aluminium requires an easy maintenance, however, it is necessary to has it into consideration. The aluminium profiles of the Acristalia systems are high quality and we recommend that you follow the following steps to maintain them as long as possible:

- Clean the profiles three or four times a year. If you are located in areas near to chemical industries or on the seafront, it is recommended cleaning on monthly basis.
- The best way to clean it is rubbing softly with a rag or soft chamois cloth wet with water and soap or with a neutral cleaning product.
- Clean and retire any residues, impurities or any small objects that can keep inside the posts.
- Is possible to swept it or vacuum it for an optimum cleaning.
- It is not recommended to use abrasive products.

Glass maintenance

The glass is a hard material, but don't forget it can be scratched. Even though, is a durable material and keeping a correct maintenance can make it last almost forever.

It must be cleaned with frequency to remove the dirt of the surface and avoid stains. The glass contains sodium and this mineral reacts with humidity in the air and can generate sodium hydroxide, something quite corrosive for the glass. You must prevent the sodium hydroxide from remaining a long time in the glass since it could cause permanent damages and would have to be replaced. An easy way of cleaning it is to use water and any products made for glass cleaning.

The windbreak has to slide easily, if not, check if there is any external objects on the posts. If the problem persists, contact your installer company.

Cleaning and precautions

The PVC seals used in the rafters must not be in contact with abrasive products since, combined

with sun rays, it could provoke deterioration or loss of characteristics.

For an efficient cleaning, we recommend that you follow the following advices:

- Extend the system to access to both sides of the glass.
- Only use products made for glass cleaning and follow the instructions on the product's label. For an optimal cleaning, we recommend that you remove the product applied with a dry, soft and clean rag.
- Another option to clean the glass is to apply a combination of alcohol or ammonia with 50% water, dilute with lukewarm water and dry with a dry, soft and clean rag.
- Never use abrasive cleaning products or any other products or petroleum-by products (polish, lubricant oils, gasoline and similar products).
- Don't use tools that could cause damages or scratches, if you have special glasses or glasses with layer, you must take special care.
- Never dry clean a glass.
- The hydrofluoric acid and phosphoric acid are corrosive for the surface of the glass and must not been used ever.
- Avoid splashes of weld during the cleaning of the metal profile, bricks or masonry.
- Clean frequently and do it if possible when there is no sun to avoid direct light and hot glass.

For the profiles cleaning is a must to use soft and clean rag, never use scratchers or utensils that can damage them, also, use neutral products, with any profile finish.

If you have doubts, ask us.

If case there is still any doubt or question about the cleaning, use or maintenance of any of the Acristalia Systems, you can contact your installation company or call us.

1.4. SOLUTION TO POSSIBLE PROBLEMS

The windbreak does not extend

This problem can be caused by two main reasons:

1. More pressure has been applied to one side than the other:
 - a. Identify the part that is more elevated than the other (Fig 1.4)
 - b. Press only that side. This will make both springs to block. (Fig 1.5).
 - c. Open the windbreak as usual.

FIG. 1.4

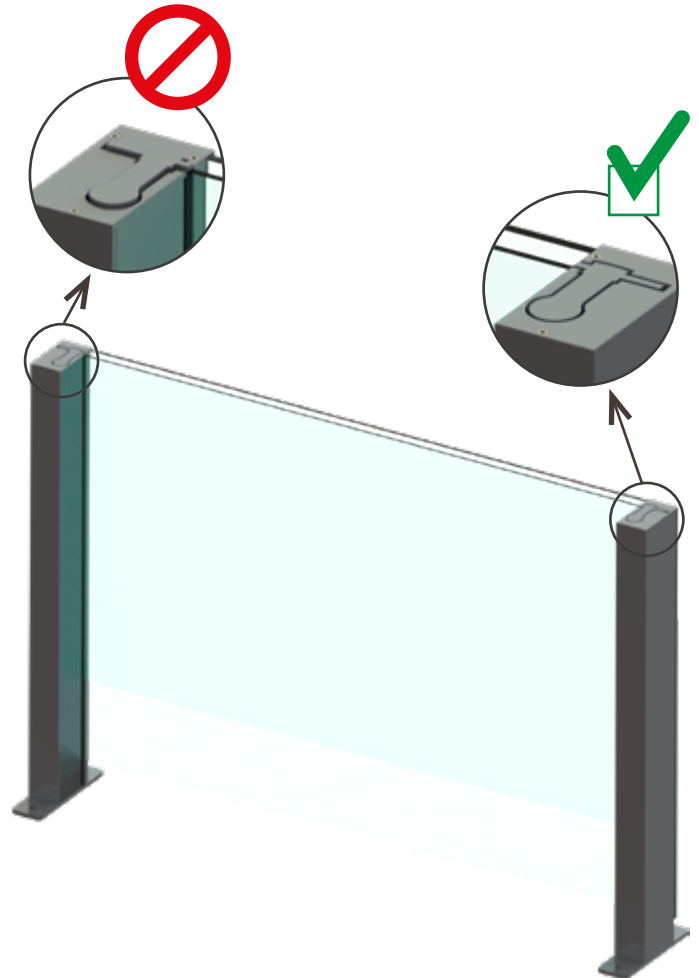
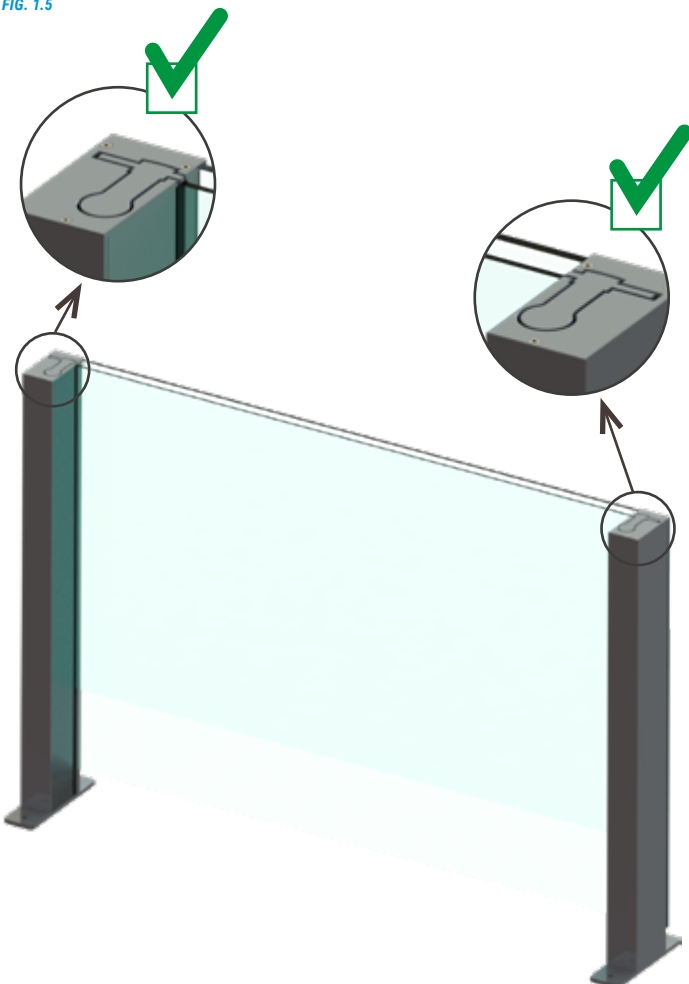
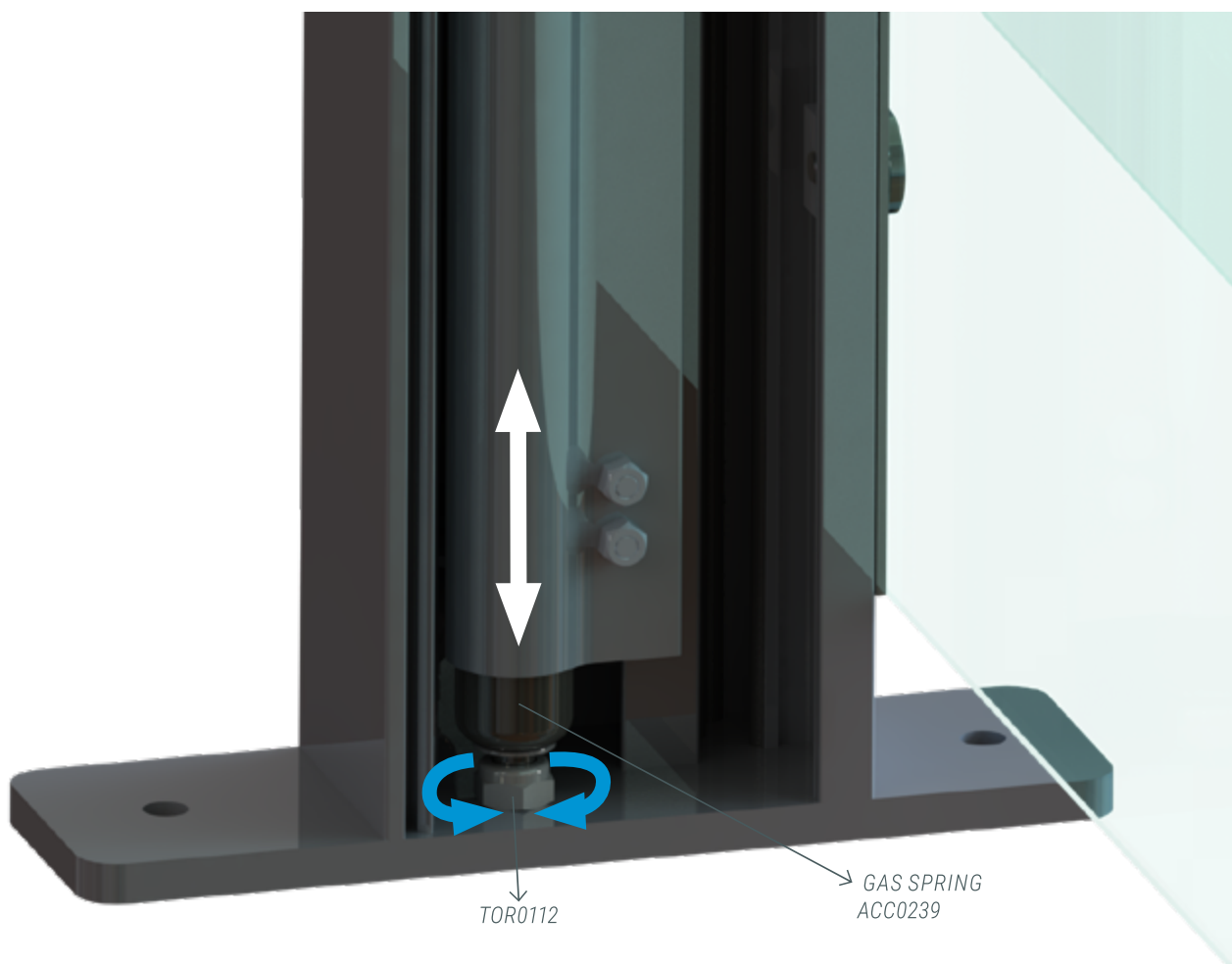


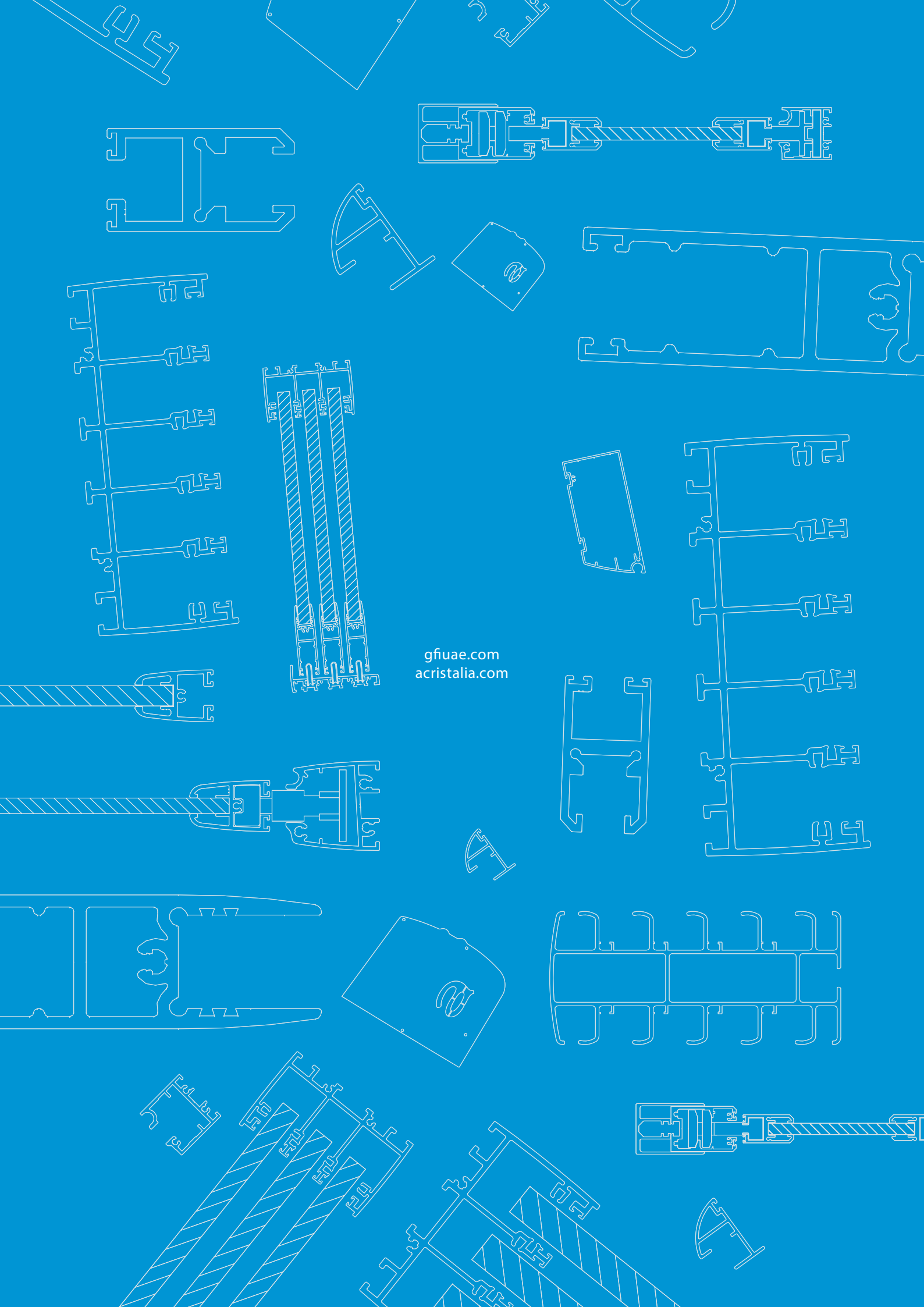
FIG. 1.5



2. The ground is uneven:
 - a. Open the side ending cap.
 - b. Identify the TOR0112 screws threaded to the spring stem, on the bottom part.
 - c. Rotate those nuts until getting the correct level of the glass (Fig 1.6)
 - d. When everything is correct, put the side ending caps again.

FIG. 1.6





gfiuae.com
acristalia.com