

MOUNTING INSTRUCTIONS

GLASS CURTAINS

STANDARD SERIES

LEGEND

1. Compensation profile (option)
 2. Laminated brush
 3. Top profile
 4. Side frame
 5. Bottom profile
 6. Top wheel outlet
 7. Bottom wheel outlet
 8. Upper storage rail
 9. 1st panel fixation
 10. Top bearing
 11. Upper pivot Zamak
 12. Lower guide part
 13. Lower pivot Zamak
 14. Wall clip
- S1. L-seal (between glasses)
S2. Z-seal (end glasses)

FIGURE 1

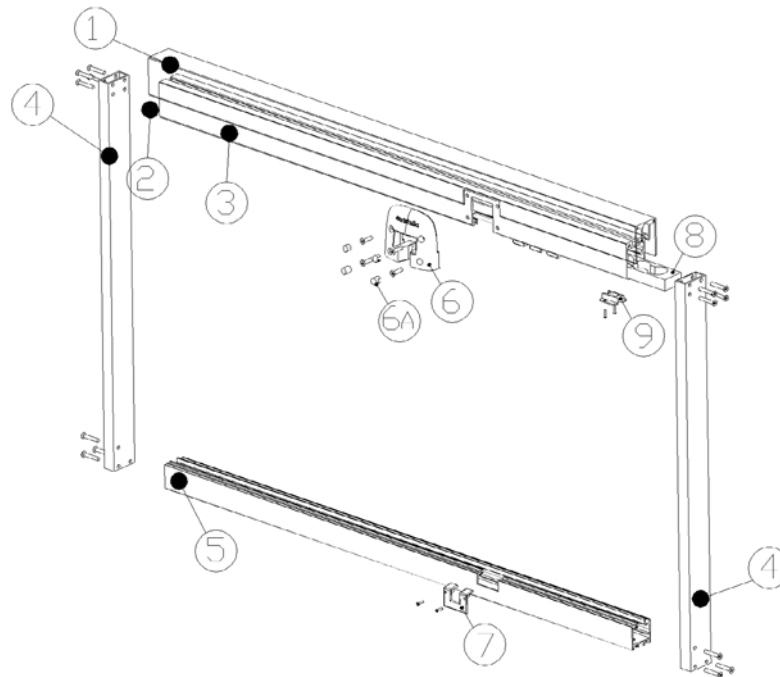
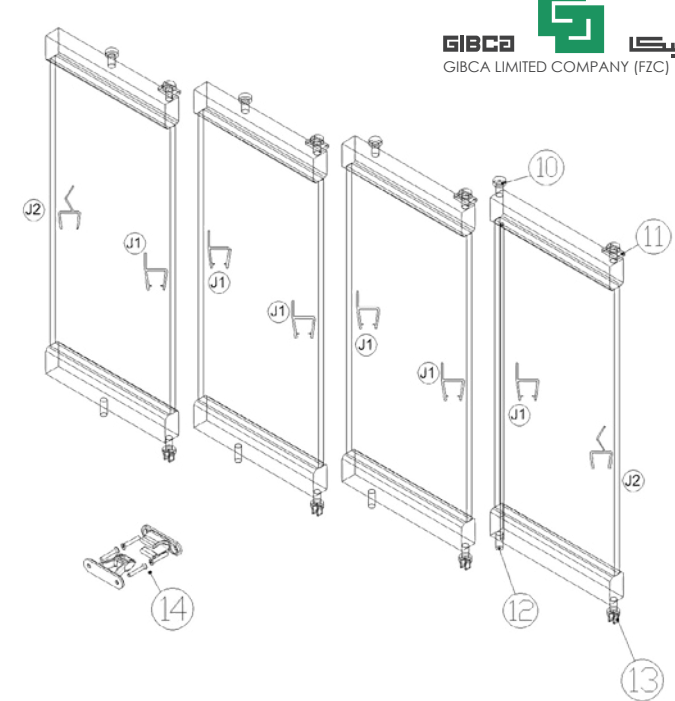


FIGURE 2



acristalia
cerramientos acristalados eficientes

GIBCA
GIBCA LIMITED COMPANY (FZC) LLC

STEPS

STEP 1 - FRAME MOUNTING

Place the laminated brush within the top guide and cut the surplus. Identify the profiles thanks to the drawing. Screw the side frames with screws 4,2 x 25.

STEP 2 - INSTALLATION

With or without compensation profile, the top profile must be aligned horizontally for the correct functioning of the system. With compensation profile: fix the profile to the roof through the holes and level it with the allen screws. Without compensation profile: be very careful not to project more than 5 mm of the flat side of the top profile with the head of the screw. No special care is required with the bottom profile.

STEP 3 - PANELS INTRODUCTION

Glass panels are delivered with numbers on it. Always place the panel n°1 and rotate 90° up to its normal opening position. Then place the 1st panel fixation part with 4,2x13 screws so that it won't slide or move. Finally, introduce the rest of the panels starting with the one with the bigger number and ending with the panel n°2. It's important to insert the panels through the lower guide part and not through the upper pivot zamak part. Once placed, check the correct aplomb.

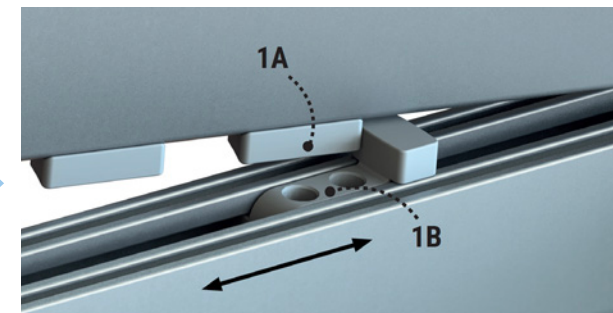
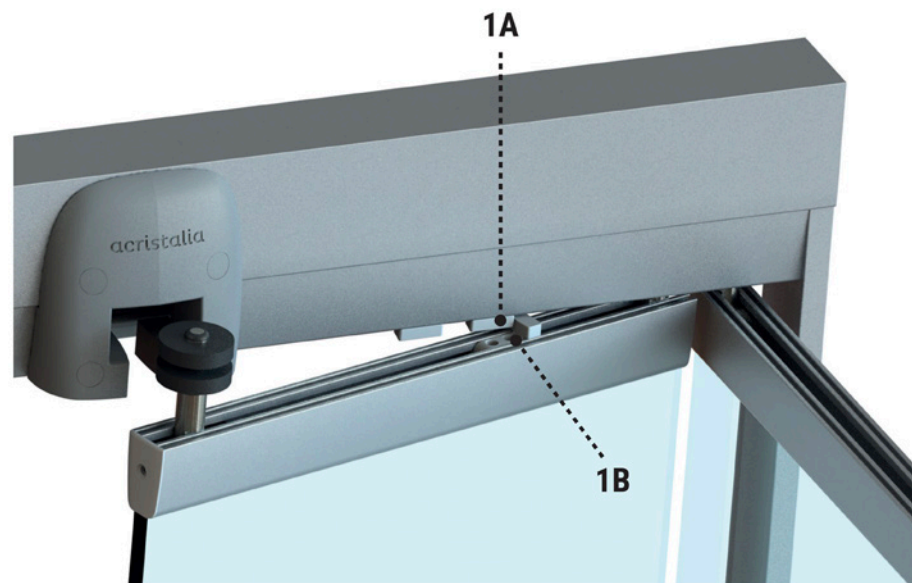
STEP 4 - ACCESSORIES PLACEMENT

Once the panels are introduced, fix the top and bottom wheel outlet with 4,2x16 and 2,9x9,5 screws, respectively. In addition, place the ending caps of the upper wheel outlet, they are identified with numbers. Finally, check that the whole system is properly mounted and in the event of failures, check that all the previous steps have been respected.

MOUNTING INSTRUCTIONS
GLASS CURTAINS
STANDARD SERIES

LEGEND

- 1A - GUIDE SUPPORT
- 1B - PANEL SUPPORT



STEPS

STEP 5 - POSITIONING OF THE PANEL SUPPORT

How to adjust the panel support part.

Position the 1B part of the panel until it makes contact with the 1A part of the guide.

How to fix the panel support part.

Fix the two fixation screws of the part once positioned.

Repeat this process for each panel of the system.

For any further information please contact our Technical Department by phone via 952 198 752

