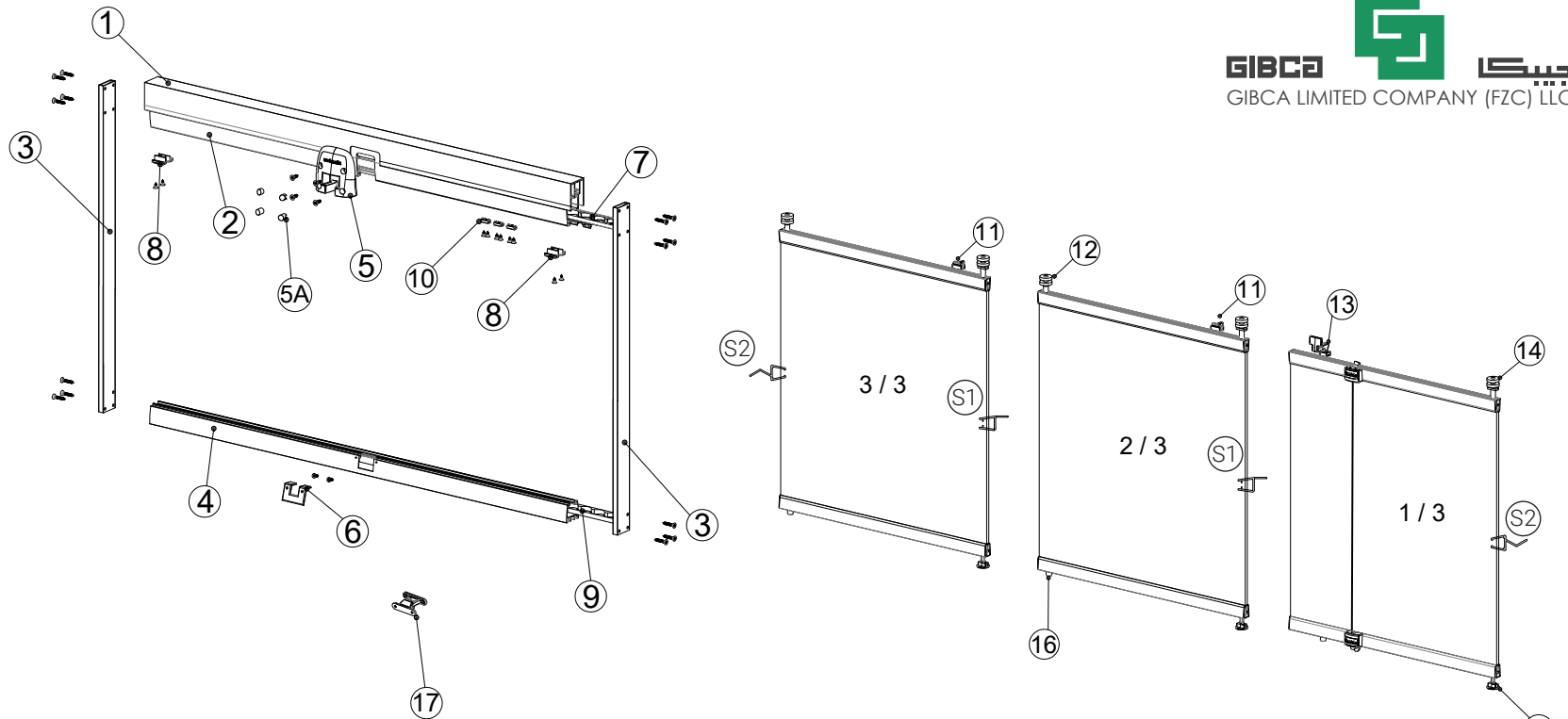


**MOUNTING INSTRUCTIONS**  
GLASS CURTAINS  
BASIC PRO SERIES **IN 5 STEPS**

**LEGEND**

1. Compensation profile
2. Top profile
3. Side frame
4. Bottom profile
5. Top wheel outlet
  - 5.A Wheel outlet ending caps set
6. Bottom wheel outlet
7. Upper storage rail
8. 1st panel fixation
9. Lower storage rail
10. Guide support
11. Panel support
12. Top bearing
13. Upper wheel outlet ending cap
14. Upper pivot Zamak
15. Lower guide part
16. Lower pivot Zamak
17. Wall clip

- S1. L-seal (between glasses)  
S2. Z-seal (end glasses)



**STEP 1 - FRAME MOUNTING**

Identify the profiles thanks to the drawing.  
Screw the side frames with screws 4,2 x 25.

**ÉTAPE 2 - INSTALLATION**

Fix the profile to the roof through the holes and level it with the allen screws. No special care is required with the bottom profile. It is absolutely necessary to plumb the side frame so that the round holes of the upper storage rail (7) and the round holes of the lower storage rail (9) coincide on the same axis. The top profile shall be leveled on the whole length.

**STEP 3 - PANELS INTRODUCTION**

Glass panels are delivered with numbers on it. Always place the panel n°1 and rotate 90° up to its normal opening position. Then place the 1st panel fixation part with 4,2x13 screws so that it won't slide or move. Finally, introduce the rest of the panels starting with the one with the bigger number and ending with the panel n°2. It's important to insert the panels through the lower guide part and not through the upper pivot zamak part. Once placed, check the correct aplomb.

**STEP 4 - ACCESSORIES PLACEMENT**

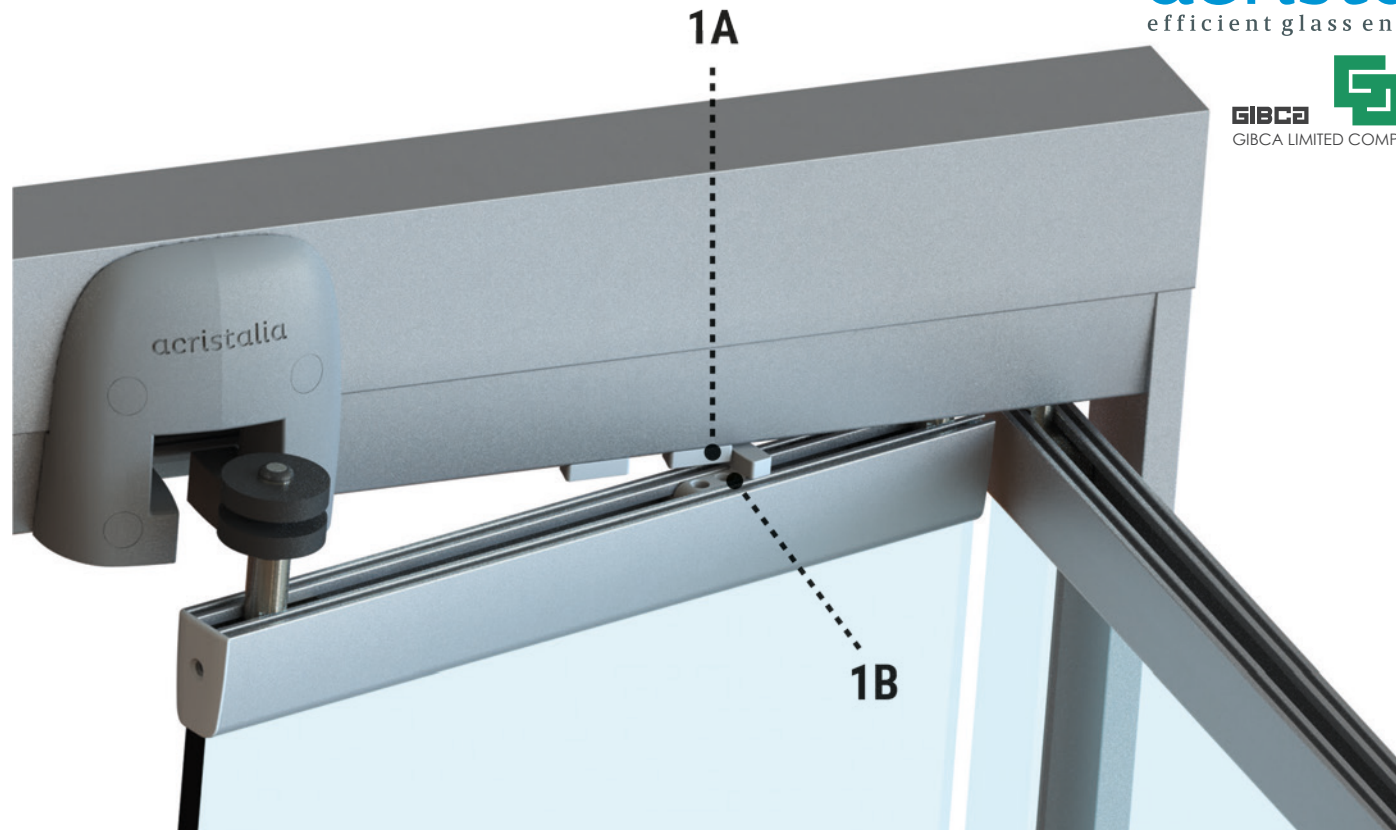
Once the panels are introduced, fix the top and bottom wheel outlet with 4,2x16 and 2,9x9,5 screws, respectively. In addition, place the ending caps of the upper wheel outlet, they are identified with numbers.

**MOUNTING INSTRUCTIONS**  
GLASS CURTAINS  
BASIC PRO SERIES **IN 5 STEPS**

**LEGEND**

- 1A** - GUIDE SUPPORT
- 1B** - PANEL SUPPORT

**acristalia**<sup>lw</sup>  
efficient glass enclosures



**STEP 5 - POSITIONING OF THE PANEL SUPPORT**

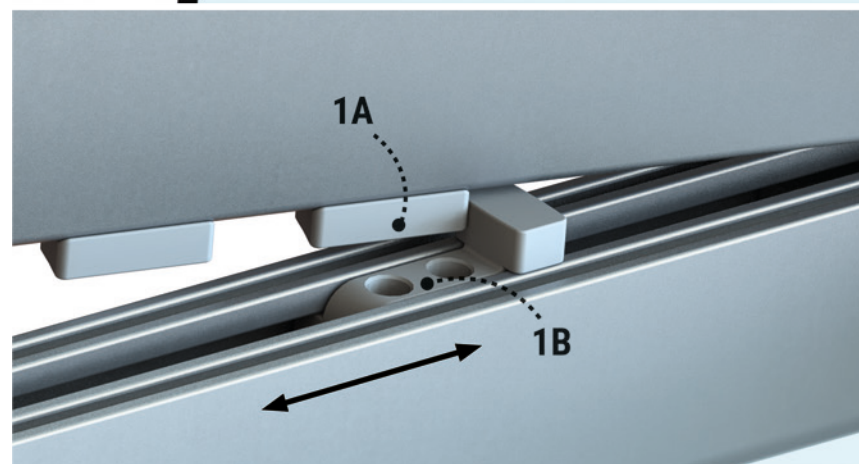
**How to adjust the panel support part.**

Position the 1B part of the panel until it makes contact with the 1A part of the guide.

**How to fix the panel support part.**

Fix the two fixation screws of the part once positioned.

Repeat this process for each panel of the system.



*For any further information please contact  
our Technical Department by phone via  
952 198 752*

Acristalia, S.L. - B92813096  
c/ Santa Laura, nº 9 · 29651  
Mijas Costa · Málaga (España)  
Customer Support (+34) 952 198 752

[info@acristalia.com](mailto:info@acristalia.com) [acristalia.com](http://acristalia.com)