



OUTDOOR FURNITURES

PARK BENCHES

LITTER BINS

GAZEEBO

GIBCA



جيسكا

GIBCA FURNITURE INDUSTRY CO. LTD. (LLC)

ABOUT US

GIBCA Furniture Industry Co. Ltd. (LLC) which is a part of GIBCA Group has been long recognized as one of the leading manufacturers and suppliers of contract location furnishings. Established in the early 1990's, its defining features are its quality and potential to innovate. Trusted by architects and contractors worldwide, GFI has made over 50,000 installations spanning Middle East, Central Asia and North Africa.

The culture of innovation and creativity has established GFI as the leading space management solution provider in the region. All our products help exploit to the fullest; the potential that every space offers.

Our state of the art manufacturing facility and an extremely talented technical team turns out a wide range of custom made products which affirm our reputation for expertly engineered design and top quality workmanship.

We seek to provide each of our customers highly personalized service right from design to after sales.

Our goal is simple – we help you manage your space better!

GIBCA REACH



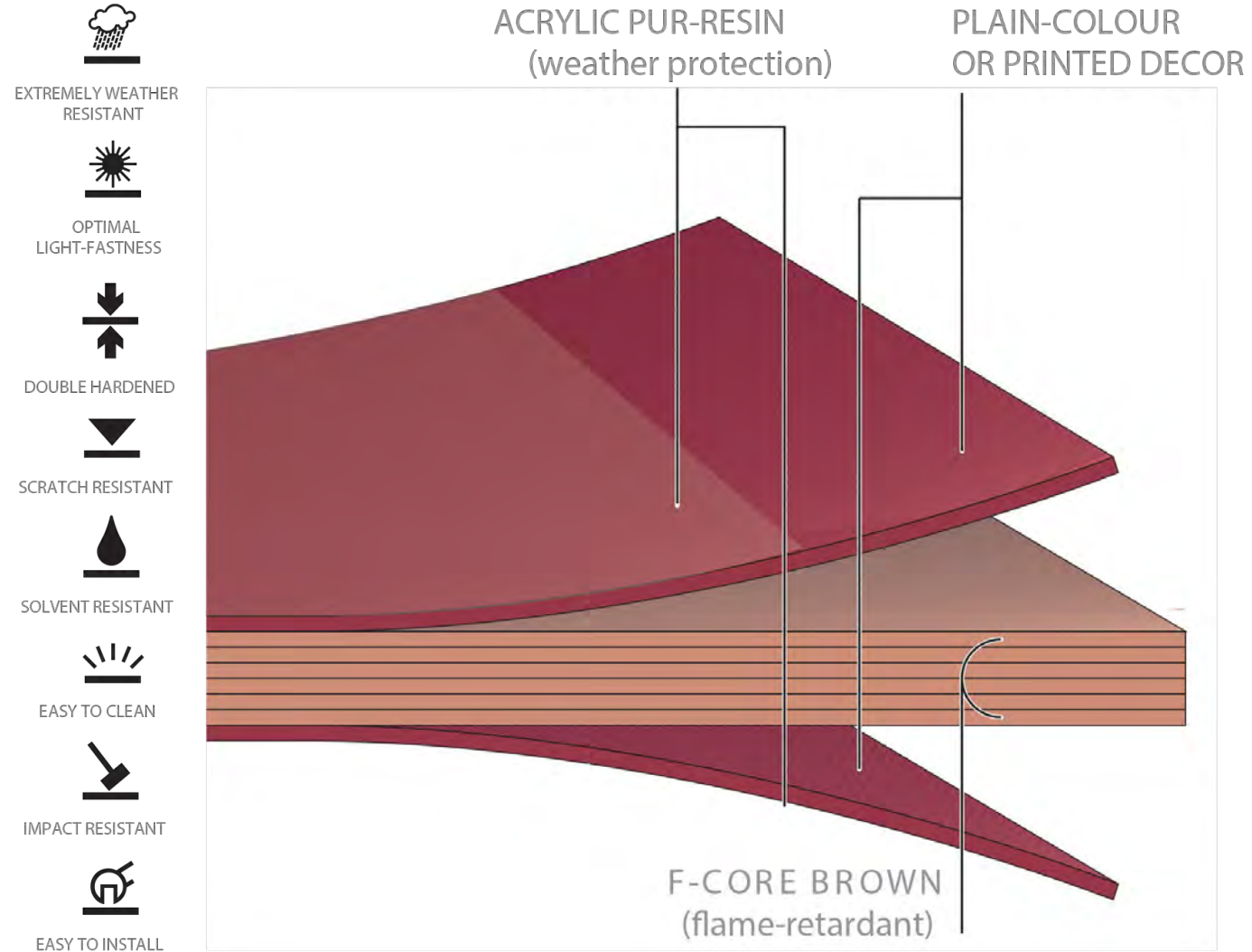
As New Markets Beckon, We Have Forayed Much Beyond UAE Shores

UAE	Kuwait	Oman
Saudi Arabia	Bahrain	Qatar
Syria	Jordan	Lebanon
Palestine	Iraq	Iran
Kyrgyzstan	Tajikistan	Azerbaijan
Turkmenistan	Kazakhstan	Afghanistan
Pakistan	Georgia	Ukraine
Cyprus	Egypt	Libya
Tunisia	Algeria	Morocco
United Kingdom	Senegal	Nigeria
Cameroon	Gabon	Angola
Ethiopia	Kenya	Sudan

OUR CLIENTS



STRUCTURE & ADVANTAGES OF USING EXTERIOR PANELS



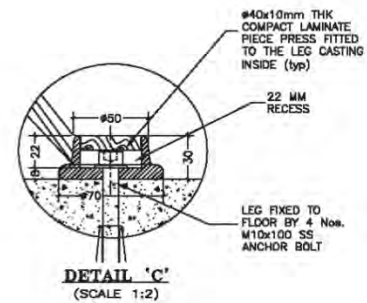
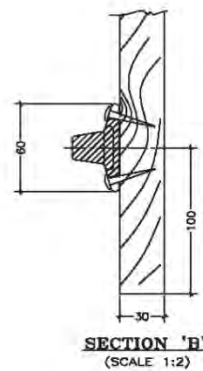
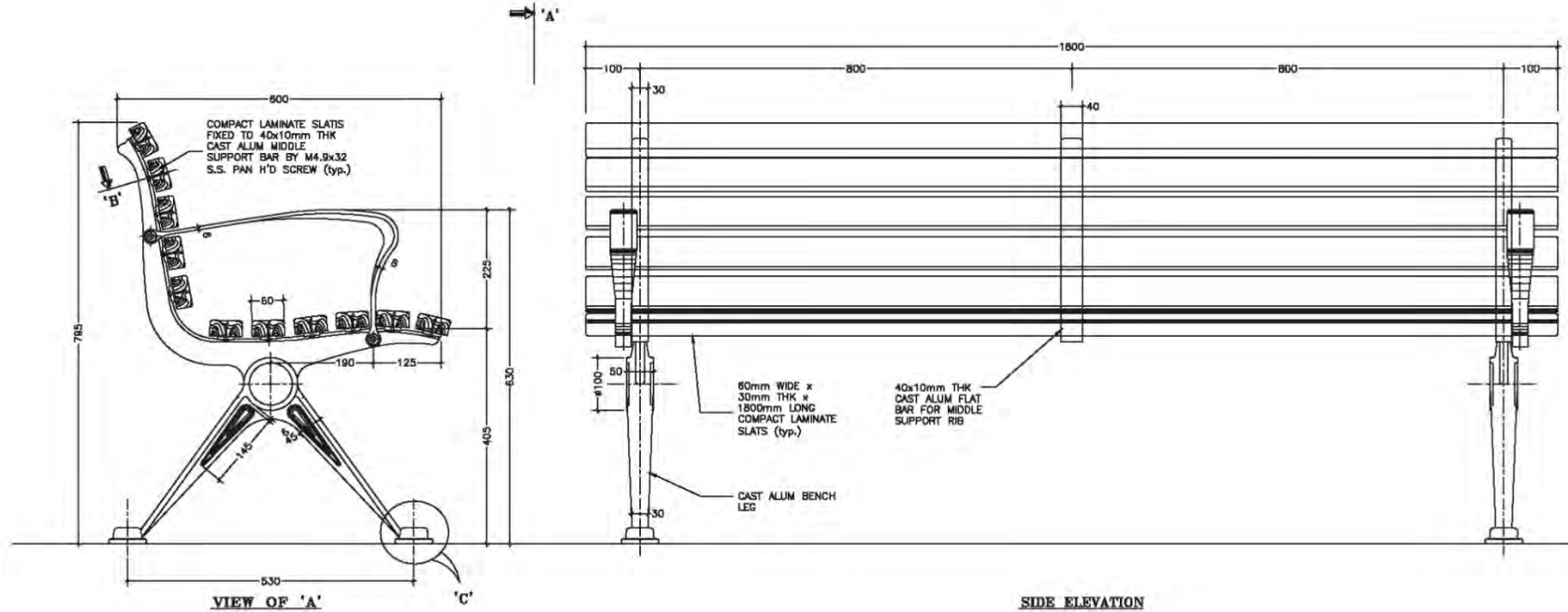
PARK BENCHES MODELS



MODEL - PB 90



MODEL - PB 90



1. Bench slats made of
13mm HPL flat panels
Colour: refer colour options.

2. Bench support frame
made of cast alum.-6mm

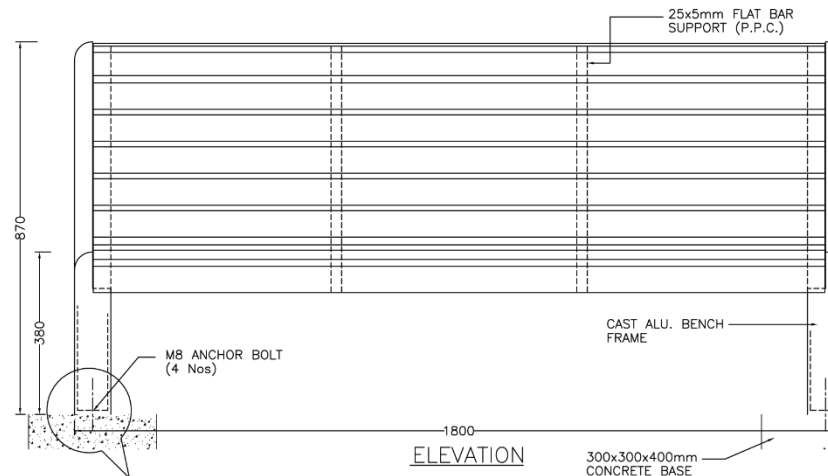
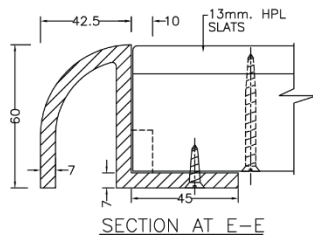
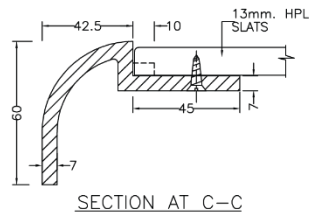
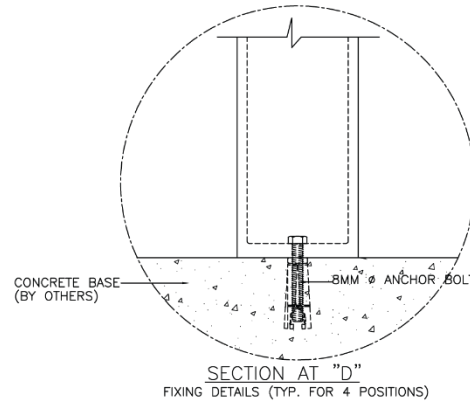
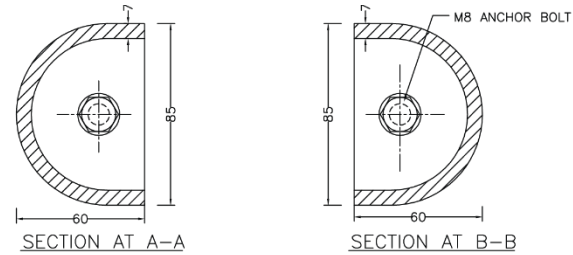
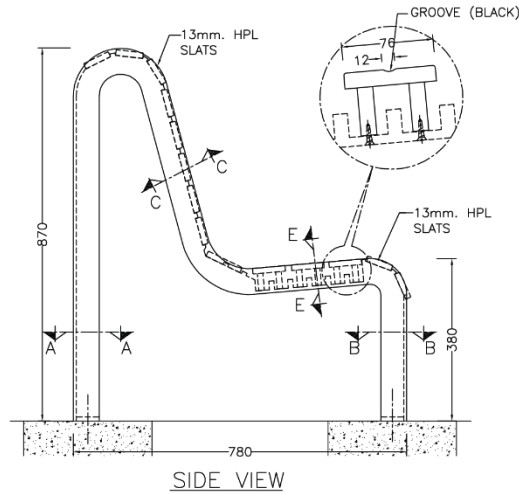
3. All fixing bolts & screws are
stainless steel

MODEL PB – 006T



MODEL PB – 006T

O: PB006T



1. BENCH SEAT AND BACK REST MADE OF HPL 13mm TO 19MM. HPL FLAT PANELS COLOUR: REFER COLOUR OPTIONS

2. BENCH SUPPORT FRAME MADE OF GRAVITY DIE CAST ALUMINIUM LM 6M CONFORMING TO BS 1490 FINISH: POLYESTER POWDER COATED TO BS 6496 COLOUR: REFER RAL COLOUR OPTIONS

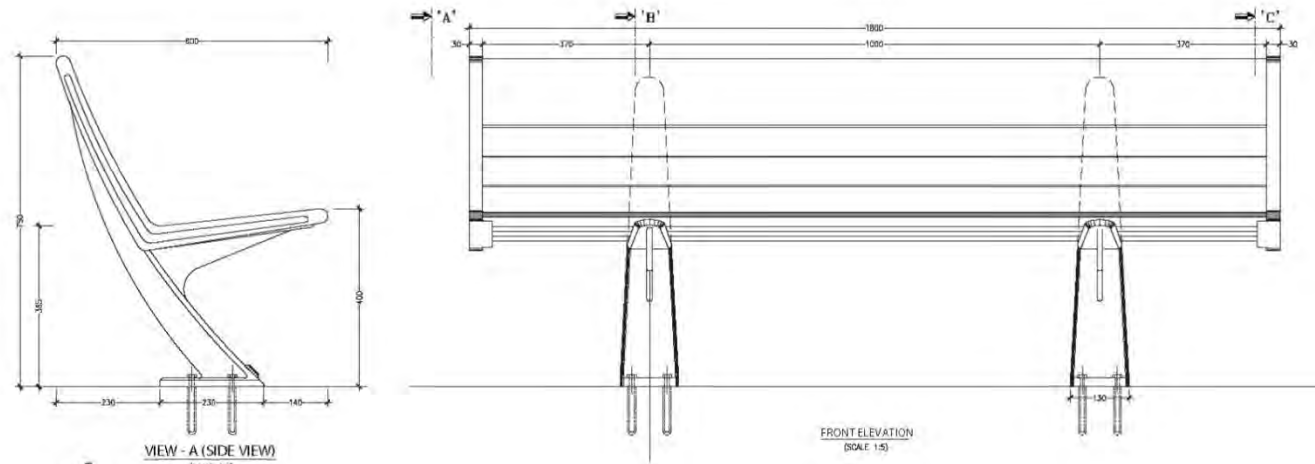
3. ALL FIXING BOLTS & SCREWS ARE STAINLESS STEEL

4. ALL DIMENSIONS ARE IN MM.

MODEL - PB 80

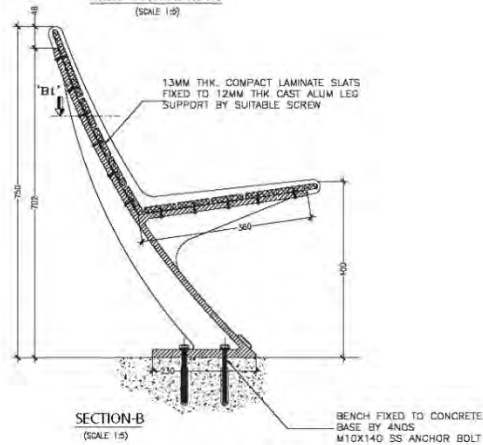


MODEL - PB 80



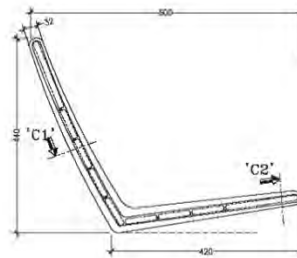
VIEW - A (SIDE VIEW)
(SCALE 1:5)

FRONT ELEVATION
(SCALE 1:5)

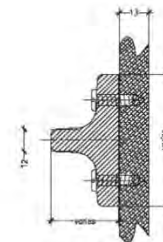


SECTION-B
(SCALE 1:5)

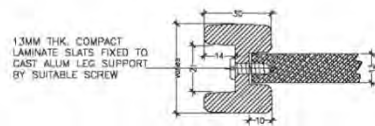
BENCH FIXED TO CONCRETE
BASE BY 4 NOS
M10X140 SS ANCHOR BOLT



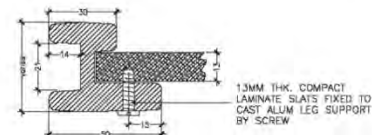
SECTION-C
(SCALE 1:1)



SECTION-B1
(SCALE 1:1)



SECTION -C1
(SCALE 1:1)



SECTION -C2
(SCALE 1:1)

HIGH PRESSURE SOLID
GRADE COMPACT LAMI-
NATE(HPL)
IS A FLAT PANEL BASED ON
THERMOSETTING RESINS,
HOMOGENEOUSLY
REINFORCED WITH WOOD
FIBERS AND MANUFACTURED
UNDER HIGH PRESSURE AND
TEMPERATURE, UV RESISTANT,
WEATHER RESISTANT,
MOISTURE RESISTANT,
RESISTANT TO EXTREME
WEATHER FLUCTUATIONS
AND IS
FIRE RETARDANT.

RECYCLING & LITTER BIN MODELS

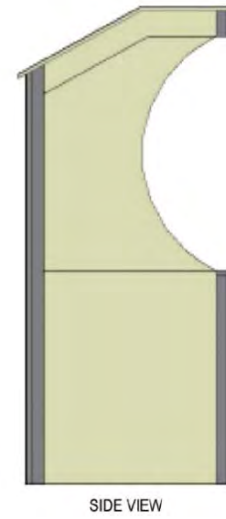
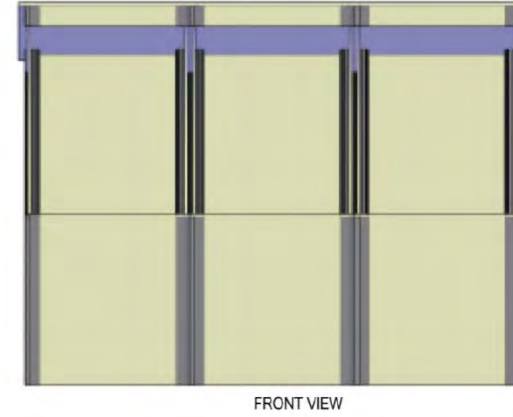


RECYCLING BIN



Recycling Bin is designed for waste management solution. It incorporates multiple bins for trash separation. Bin labels can be customized to enable recycling efforts and trash separation to be clearly understood, thus limiting contamination and reducing landfill.

RECYCLING BIN



LITTER BIN – LB 008



Specification

Litter Bin Surface: Made of 13mm thick compact laminate.

Framework: Made of High quality extruded aluminum section, powder coated to BS 6496.

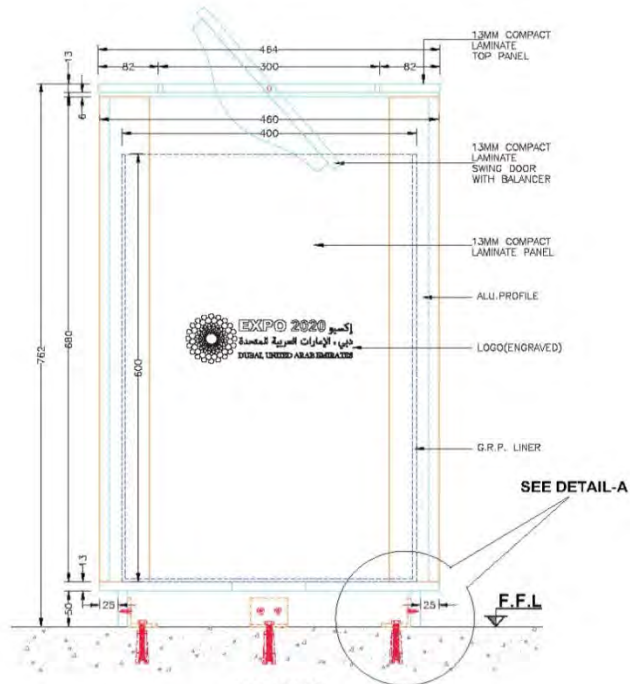
Bin Liner: Made of Glass Reinforced Plastic in black color.

Bin Cover: Made of 13mm thick compact laminate.

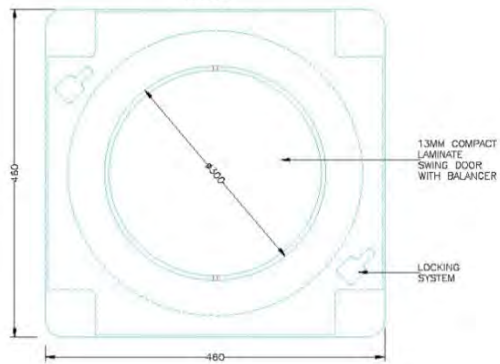
Fixing: All fixing screws are stainless steel.

Dimension: 460 x 460 x 762mm

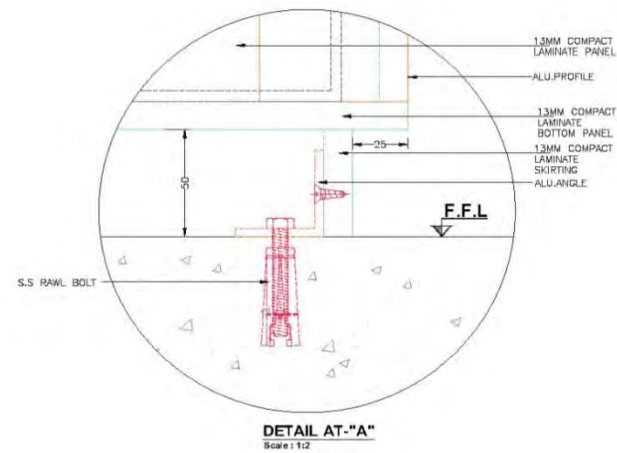
LITTER BIN – LB 008



ELEVATION
Scale: 1:5



PLAN
Scale: 1:5



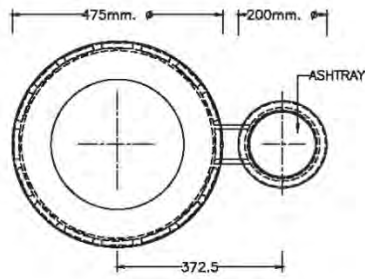
DETAIL AT-"A"
Scale: 1:2

LITTER BIN – TLB 004A

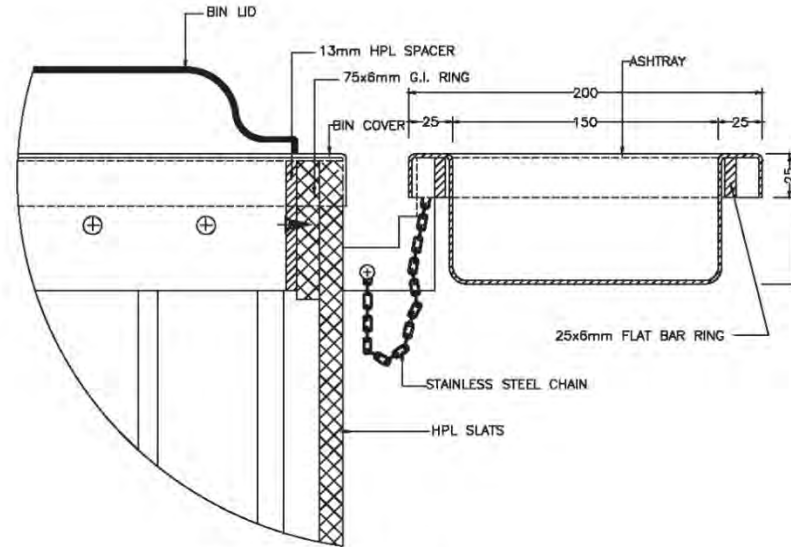


LITTER BIN – TLB 004A

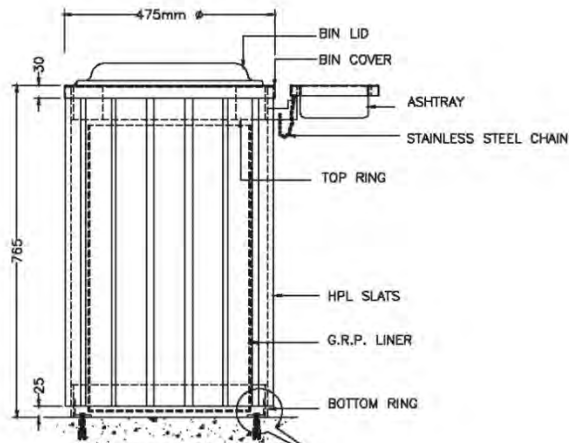
LITTER BIN
MODEL NO: TLB004L



PLAN

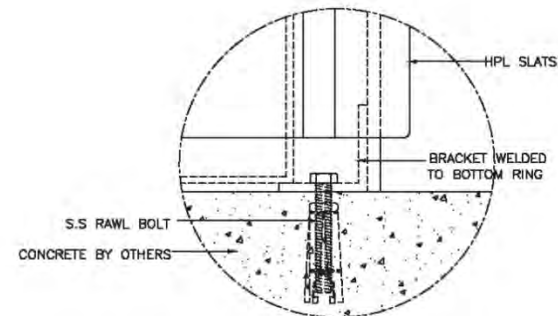


DETAIL OF ASH TRAY



ELEVATION

SEE FLOOR FIXING DETAILS



FLOOR FIXING DETAILS

GAZEBO



GAZEBO





KEEP IN TOUCH WITH US

We're happy to assist you.

GIBCA



جی بی سی

GIBCA FURNITURE INDUSTRY CO. LTD. (LLC)

UAE OFFICE

GIBCA FURNITURE INDUSTRY CO. LTD. (LLC)

P.O. Box: 20923

Ajman, United Arab Emirates

Tel : + 971-6-7436888

Fax : + 971-6-7436903

E-mail : info@gfiuae.com

Website : www.gfiuae.com

