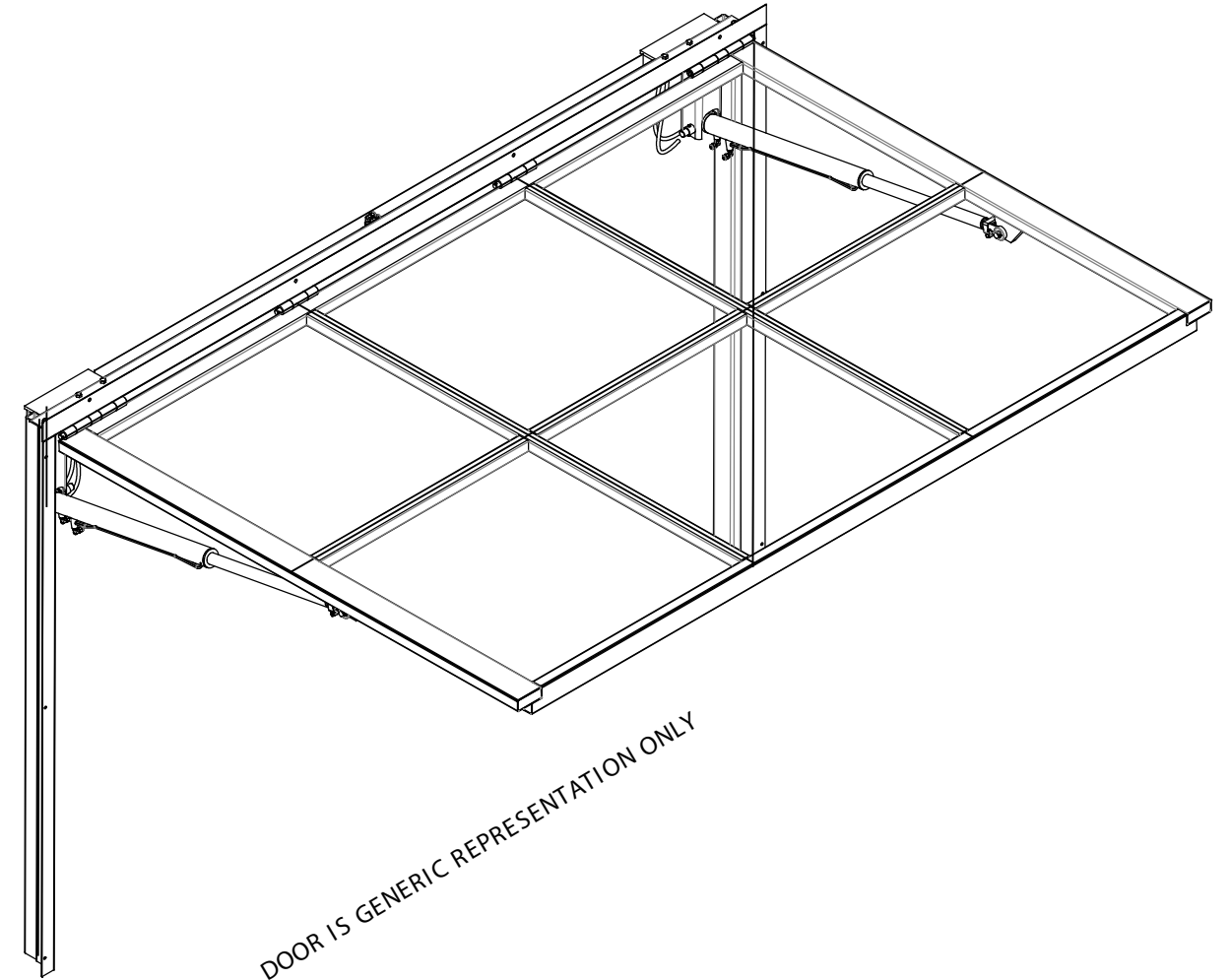


P.O.Box 20923, AJMAN, UAE
 TEL: + 971-6-7436888
 Fax: +971-6-7436903
 Email: info@gfiuae.com
 Website: www.gfiuae.com

SINGLE-SWING HYDRAULIC SYSTEM



DOOR IS GENERIC REPRESENTATION ONLY

**PRELIMINARY
 NOT FOR CONSTRUCTION**

PROPRIETARY AND CONFIDENTIAL

THE INFORMATION CONTAINED WITHIN THIS DRAWING SET IS THE SOLE PROPERTY OF CROWN DOORS, LLC (CROWN). ANY REPRODUCTION - IN PART, OR AS A WHOLE - WITHOUT THE EXPRESSED, WRITTEN CONSENT OF CROWN DOORS, LLC IS PROHIBITED

IMPORTANT NOTICE:

ALL DIMENSIONS SHOWN ARE CRITICAL TO PROPER DOOR OPERATION. IF ANY CHANGES ARE MADE, CONTACT CROWN IMMEDIATELY. ANY CHANGES MAY INCUR ADDITIONAL CHARGES.

ALL PARTS NOT LISTED AS "BY OTHERS" TO BE PROVIDED BY CROWN.

SAMPLE DRAWINGS

- THE FOLLOWING DETAILS REPRESENT TYPICAL CONDITIONS. DETAILS/DIMENSIONS WILL VARY BETWEEN INSTALLATIONS.
- SAMPLE DRAWINGS DO NOT REPRESENT ALL AVAILABLE OPTIONS - REFER TO QUOTATION.

GENERAL NOTES

- STRUCTURAL SUPPORT (JAMBS/HEADER) BY G.C.
- INSTALLER TO CAULK AROUND MOUNTING ANGLES
- MAXIMUM ALLOWABLE RISE OF FINISHED FLOOR IS 3/8"
- CROWN RESERVES THE RIGHT TO CHANGE/ IMPROVE PRODUCTS WITHOUT PRIOR NOTICE
- THE INFORMATION CONTAINED WITHIN THIS DRAWING SET IS THE SOLE PROPERTY OF CROWN. ANY REPRODUCTION - IN PART, OR AS A WHOLE - WITHOUT THE EXPRESSED, WRITTEN PERMISSION OF CROWN IS PROHIBITED
- CROWN WILL NOT BE HELD RESPONSIBLE FOR CODE VIOLATIONS

LATERAL DRIFT AND VERTICAL DEFLECTION:

TO MAINTAIN NORMAL OPERATION OF THE DOOR/WINDOW SYSTEM, MID-HEADER DOWNWARD DEFLECTION LIMIT AND LATERAL DRIFT LIMIT OF SURROUNDING STRUCTURE IS 3/8". MAXIMUM ALLOWABLE RISE OF FINISHED FLOOR BETWEEN JAMBS IS 3/8".

STEEL MEMBERS:

STEEL TUBE FRAME MEMBERS VARY IN SIZE, DEPENDING UPON ROUGH OPENING DIMENSIONS AND COVERING/CLADDING WEIGHT. LARGER OPENINGS AND HEAVIER COVERING OR CLADDING WILL REQUIRE LARGER STEEL COMPONENTS.

TOLERANCE: TOLERANCE FOR LOCATION OF VERTICAL AND HORIZONTAL STEEL TUBE MEMBERS IS 1/8"

IMPORTANT NOTE: DO NOT PRE-DRILL ROUGH OPENING

PROPRIETARY AND CONFIDENTIAL

THE INFORMATION CONTAINED WITHIN THIS DRAWING SET IS THE SOLE PROPERTY OF CROWN DOORS, LLC (CROWN). ANY REPRODUCTION - IN PART, OR AS A WHOLE - WITHOUT THE EXPRESSED, WRITTEN CONSENT OF CROWN DOORS, LLC IS PROHIBITED

IMPORTANT NOTICE:

ALL DIMENSIONS SHOWN ARE CRITICAL TO PROPER DOOR OPERATION. IF ANY CHANGES ARE MADE, CONTACT CROWN IMMEDIATELY. ANY CHANGES MAY INCUR ADDITIONAL CHARGES.

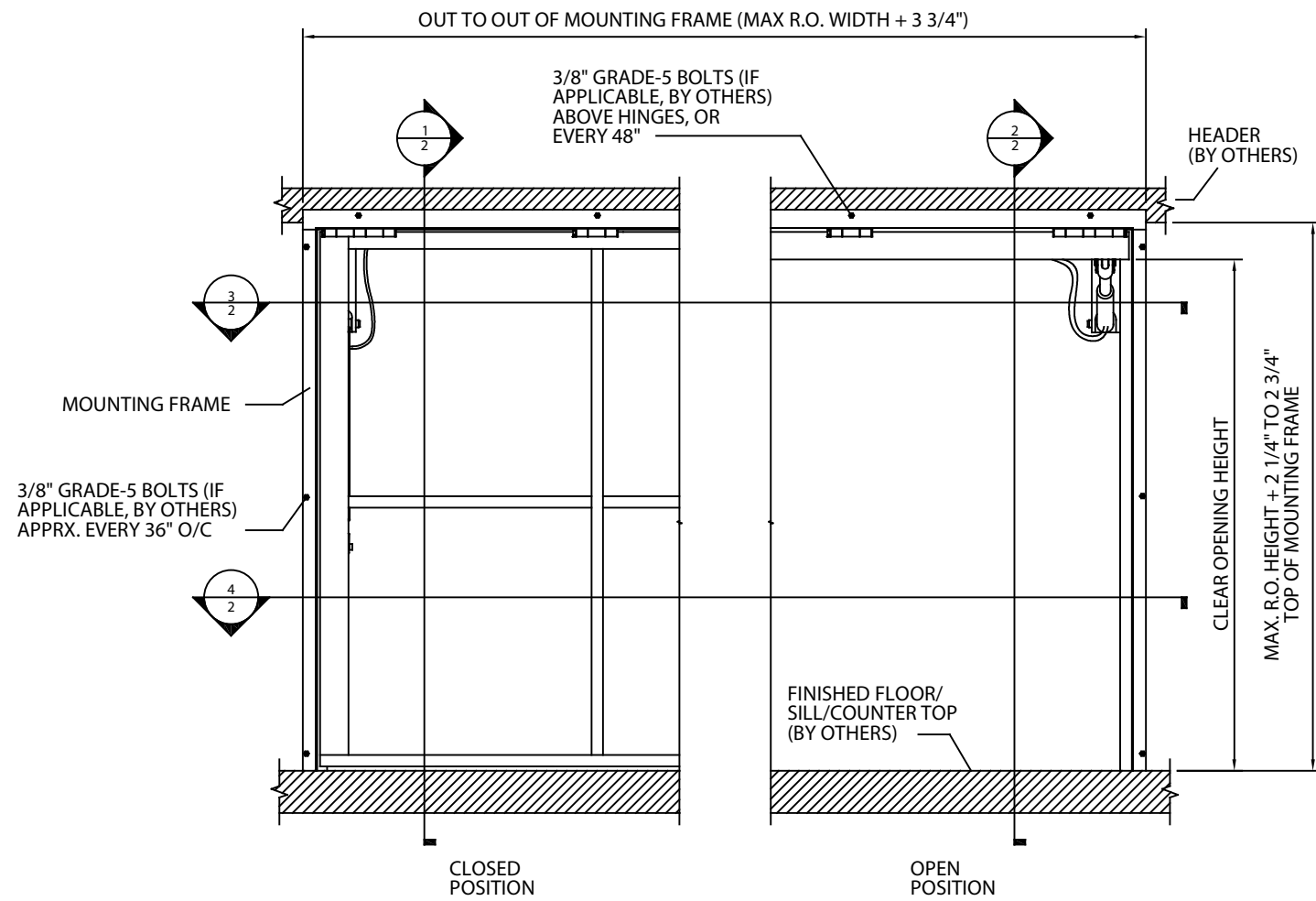
ALL PARTS NOT LISTED AS "BY OTHERS" TO BE PROVIDED BY CROWN.



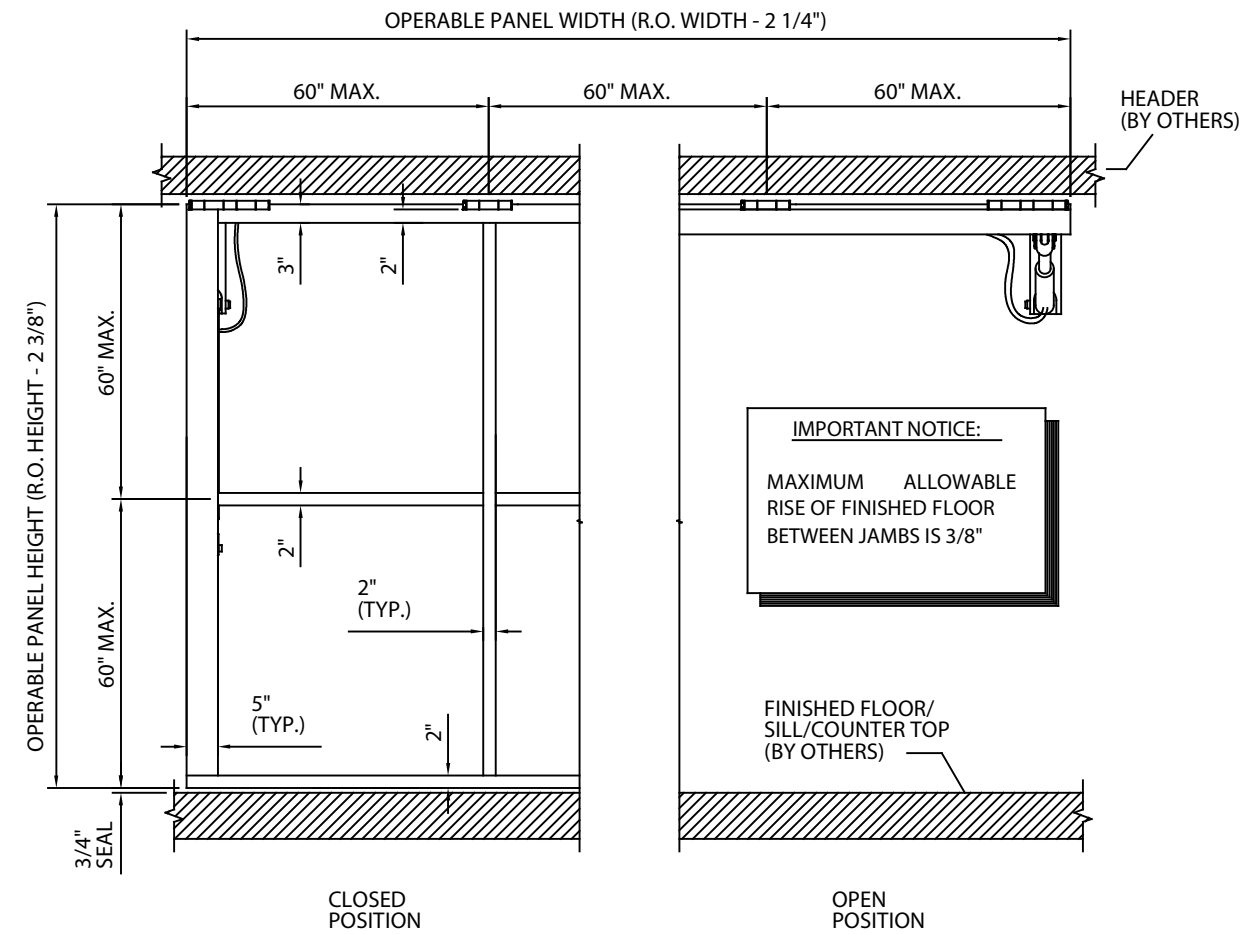
SAMPLE DRAWING



SINGLE-SWING HYDRAULIC SYSTEM



1 DOOR PANEL w/FRAME - EXTERIOR VIEW
NO SCALE



2 DOOR PANEL - EXTERIOR VIEW
NO SCALE

MODEL: SINGLE-SWING
DRAWN: 6/2018

SHEET: 1.0

LATERAL DRIFT AND VERTICAL DEFLECTION:

TO MAINTAIN NORMAL OPERATION OF THE DOOR/WINDOW SYSTEM, MID-HEADER DOWNWARD DEFLECTION LIMIT AND LATERAL DRIFT LIMIT OF SURROUNDING STRUCTURE IS 3/8". MAXIMUM ALLOWABLE RISE OF FINISHED FLOOR BETWEEN JAMBS IS 3/8".

TOLERANCE: TOLERANCE FOR LOCATION OF VERTICAL AND HORIZONTAL STEEL TUBE MEMBERS IS 1/8"

IMPORTANT NOTE: DO NOT PRE-DRILL ROUGH OPENING

NOTES:

APPROX. SYSTEM WEIGHT W/CYLINDERS:	9 LBS. P.S.F.
COVERING SYSTEM WEIGHT:	VARIES
APPROX. TOTAL DOOR PANEL WEIGHT w/COVERING:	TBD
STD. ELECTRICAL REQUIREMENTS:	208-230v, 1-PH
MOTOR:	TBD
POWER UNIT:	TBD
STD. WIND LOAD:	90 MPH EXP. C
APPROX. DOOR OPEN SPEED:	TYP. 14-15' PER MIN.
CYLINDER:	TBD
STD. FINISH:	RED-OXIDE, PRIMED
OPTIONAL FINISH:	RAL POWDER-COAT

PROPRIETARY AND CONFIDENTIAL

THE INFORMATION CONTAINED WITHIN THIS DRAWING SET IS THE SOLE PROPERTY OF CROWN DOORS, LLC (CROWN). ANY REPRODUCTION - IN PART, OR AS A WHOLE - WITHOUT THE EXPRESSED, WRITTEN CONSENT OF CROWN DOORS, LLC IS PROHIBITED

IMPORTANT NOTICE:

ALL DIMENSIONS SHOWN ARE CRITICAL TO PROPER DOOR OPERATION. IF ANY CHANGES ARE MADE, CONTACT CROWN IMMEDIATELY. ANY CHANGES MAY INCUR ADDITIONAL CHARGES.

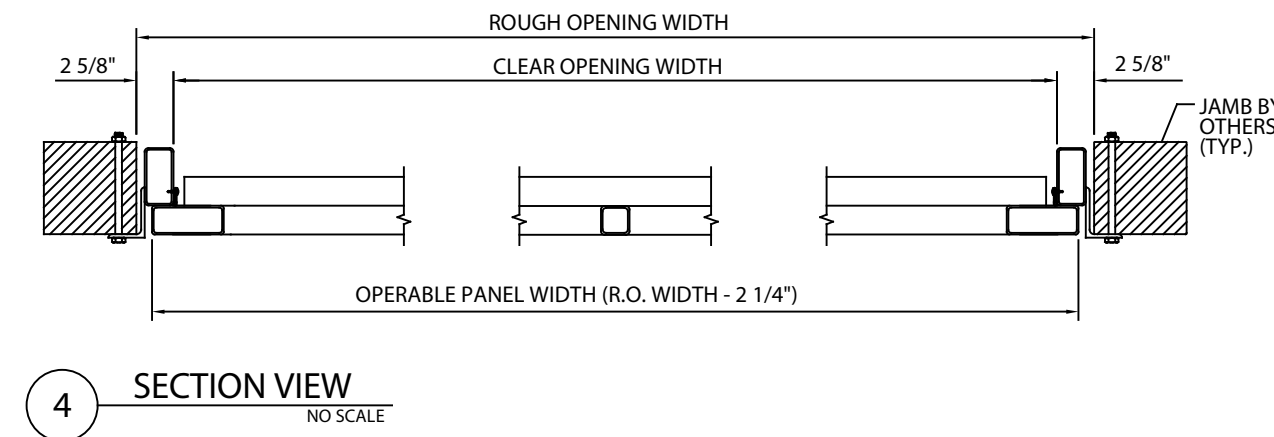
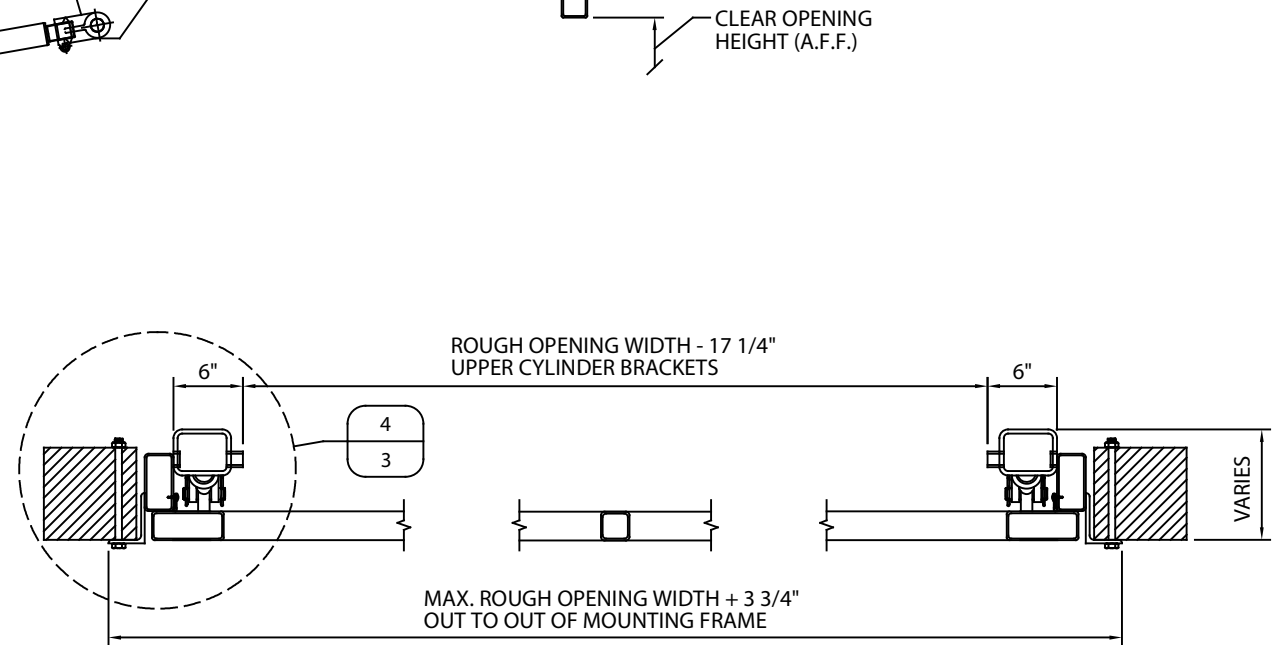
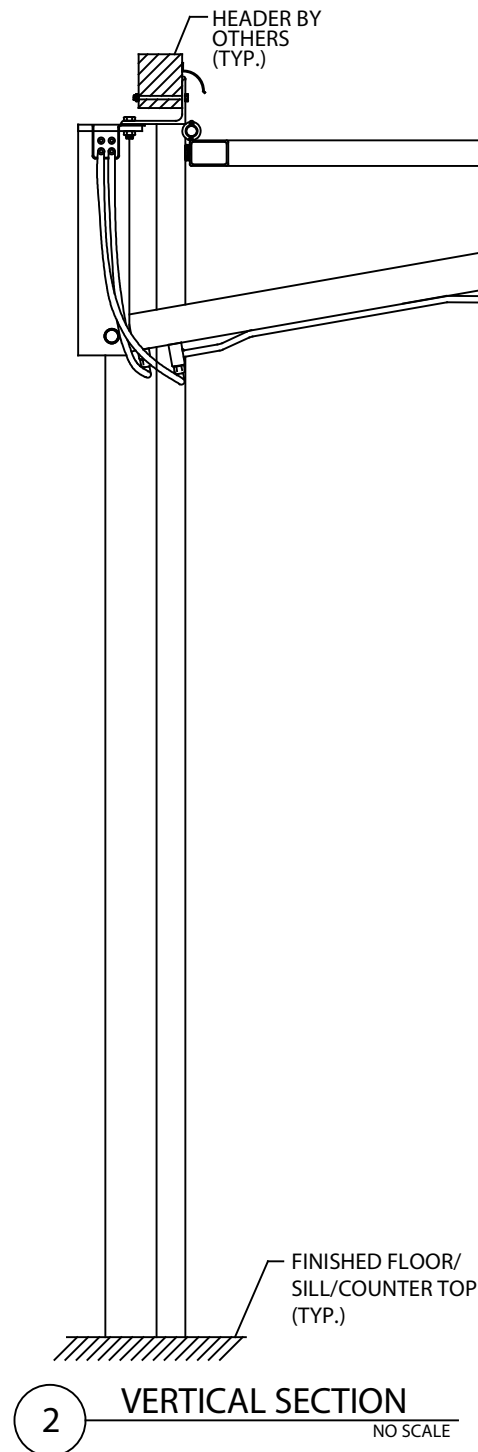
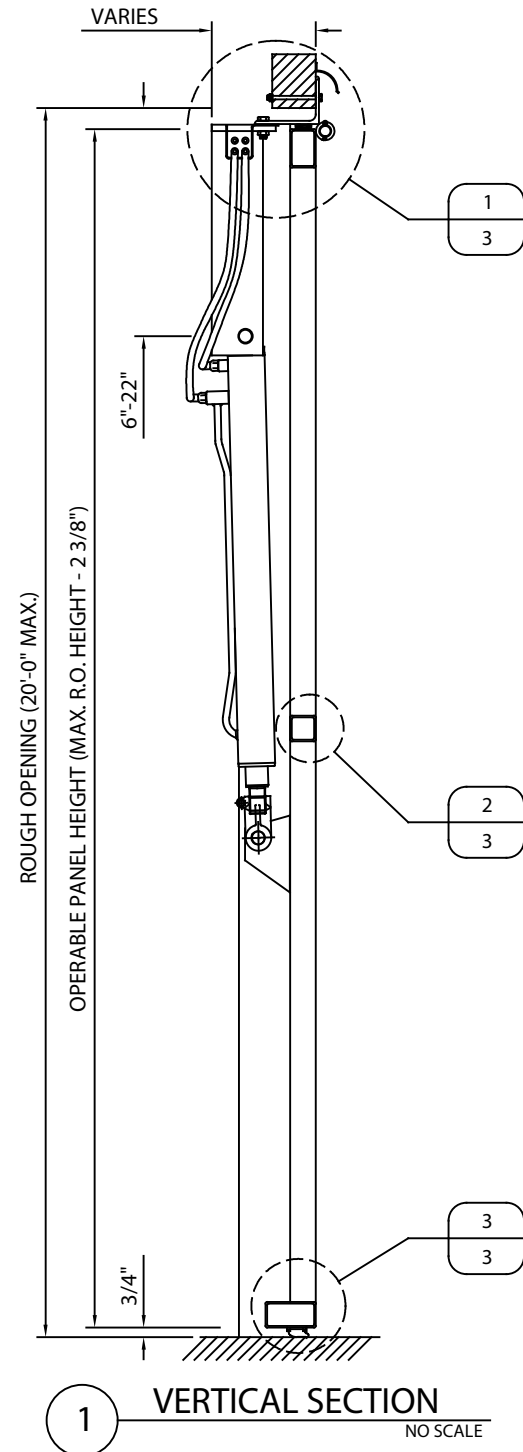
ALL PARTS NOT LISTED AS "BY OTHERS" TO BE PROVIDED BY CROWN.



SAMPLE DRAWING

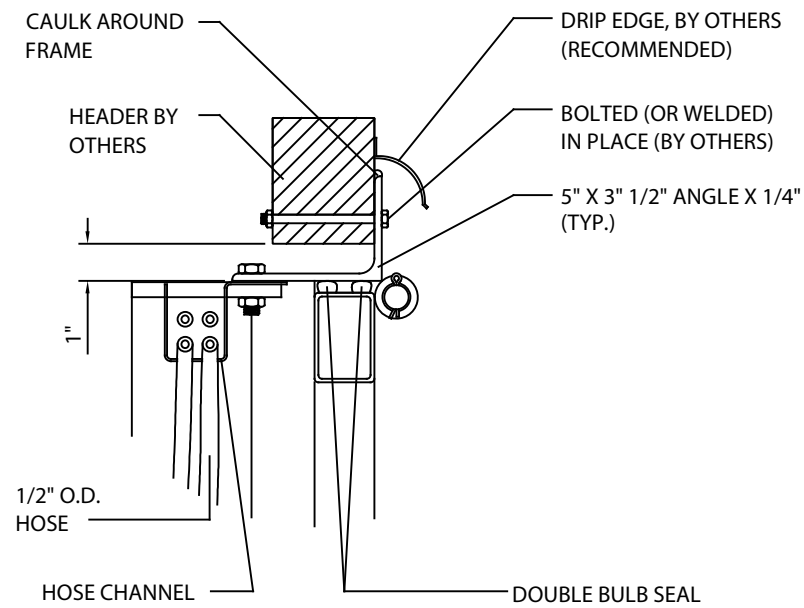


SINGLE-SWING HYDRAULIC SYSTEM



MODEL: SINGLE-SWING
DRAWN: 6/2018

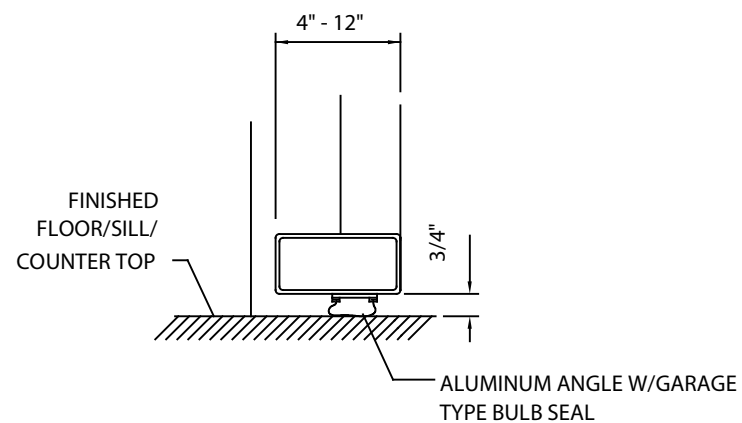
SHEET: **2.0**



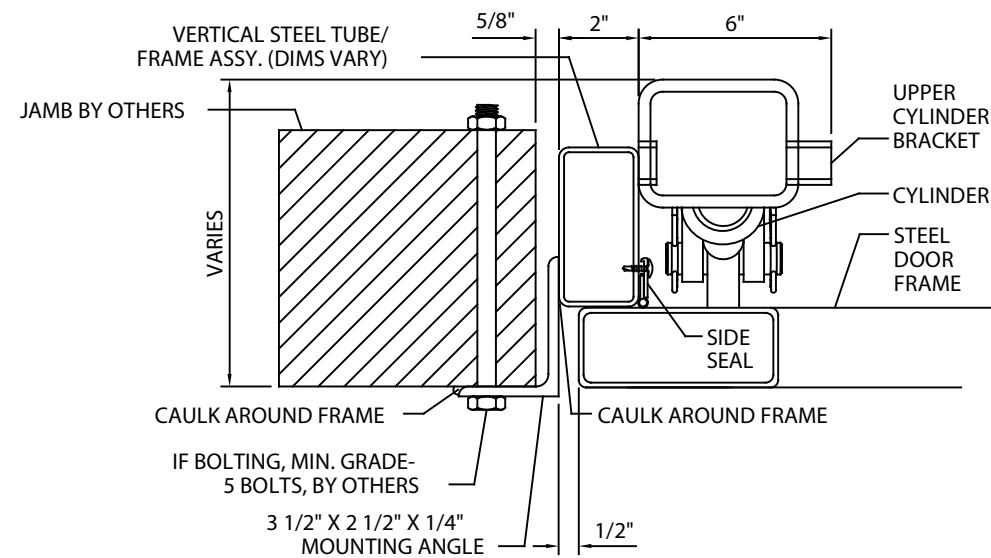
1 SECTION VIEW @ HEAD
NO SCALE



2 SECTION VIEW @ INT. HORIZONTAL
NO SCALE



3 SECTION VIEW @ BASE
NO SCALE



4 SECTION VIEW @ JAMB
NO SCALE

PROPRIETARY AND CONFIDENTIAL
THE INFORMATION CONTAINED WITHIN THIS DRAWING SET IS THE SOLE PROPERTY OF CROWN DOORS, LLC (CROWN). ANY REPRODUCTION - IN PART, OR AS A WHOLE - WITHOUT THE EXPRESSED, WRITTEN CONSENT OF CROWN DOORS, LLC IS PROHIBITED

IMPORTANT NOTICE:
ALL DIMENSIONS SHOWN ARE CRITICAL TO PROPER DOOR OPERATION. IF ANY CHANGES ARE MADE, CONTACT CROWN IMMEDIATELY. ANY CHANGES MAY INCUR ADDITIONAL CHARGES.

ALL PARTS NOT LISTED AS "BY OTHERS" TO BE PROVIDED BY CROWN.



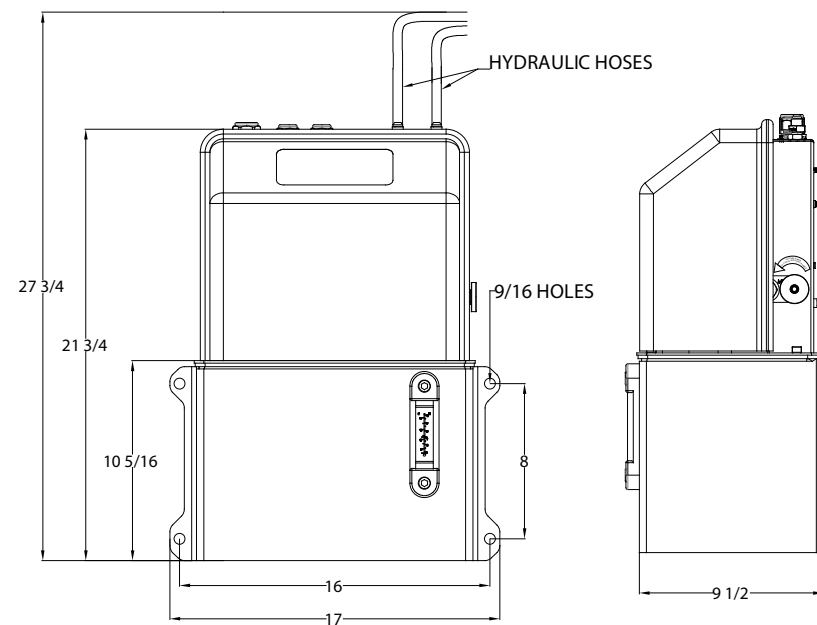
SAMPLE
DRAWING



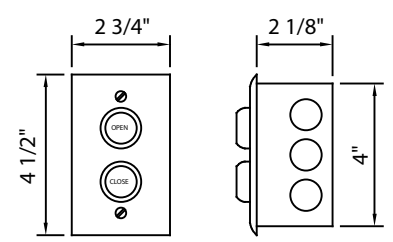
SINGLE-SWING HYDRAULIC SYSTEM

MODEL: SINGLE-SWING
DRAWN: 6/2018

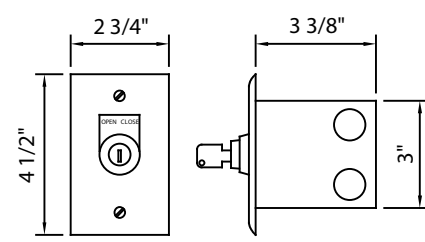
SHEET: 3.0



1 STANDARD MOTOR UNIT - ENCLOSED
NO SCALE



FLUSH-MOUNT, CONSTANT-CONTACT 2BUTTON
W/STAINLESS COVER (STANDARD)



FLUSH-MOUNT, CONSTANT-HOLD KEY SWITCH
W/STAINLESS COVER (STANDARD)

4 CONTROL OPTIONS
NO SCALE

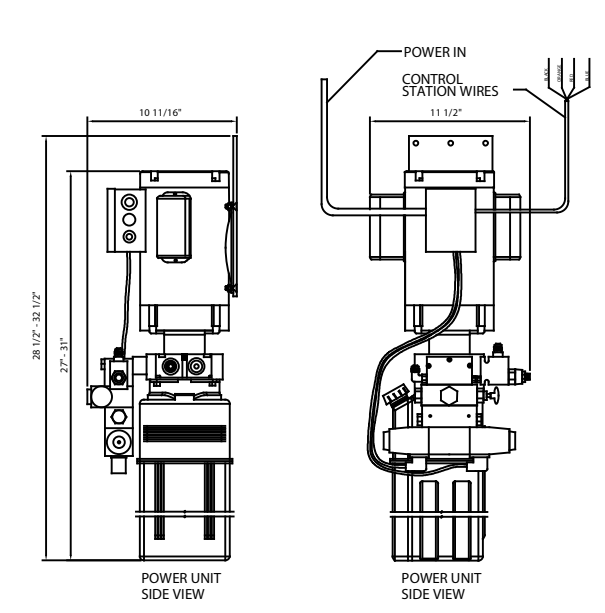
PROPRIETARY AND CONFIDENTIAL
THE INFORMATION CONTAINED WITHIN THIS DRAWING SET IS THE SOLE PROPERTY OF CROWN DOORS, LLC (CROWN). ANY REPRODUCTION - IN PART, OR AS A WHOLE - WITHOUT THE EXPRESSED, WRITTEN CONSENT OF CROWN DOORS, LLC IS PROHIBITED

IMPORTANT NOTICE:
ALL DIMENSIONS SHOWN ARE CRITICAL TO PROPER DOOR OPERATION. IF ANY CHANGES ARE MADE, CONTACT CROWN IMMEDIATELY. ANY CHANGES MAY INCUR ADDITIONAL CHARGES.

ALL PARTS NOT LISTED AS "BY OTHERS" TO BE PROVIDED BY CROWN.

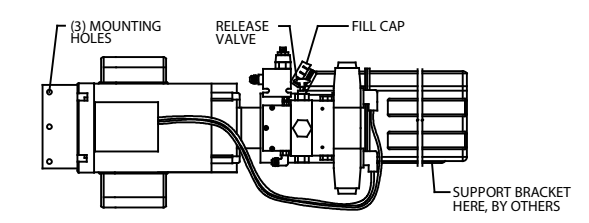


SAMPLE
DRAWING

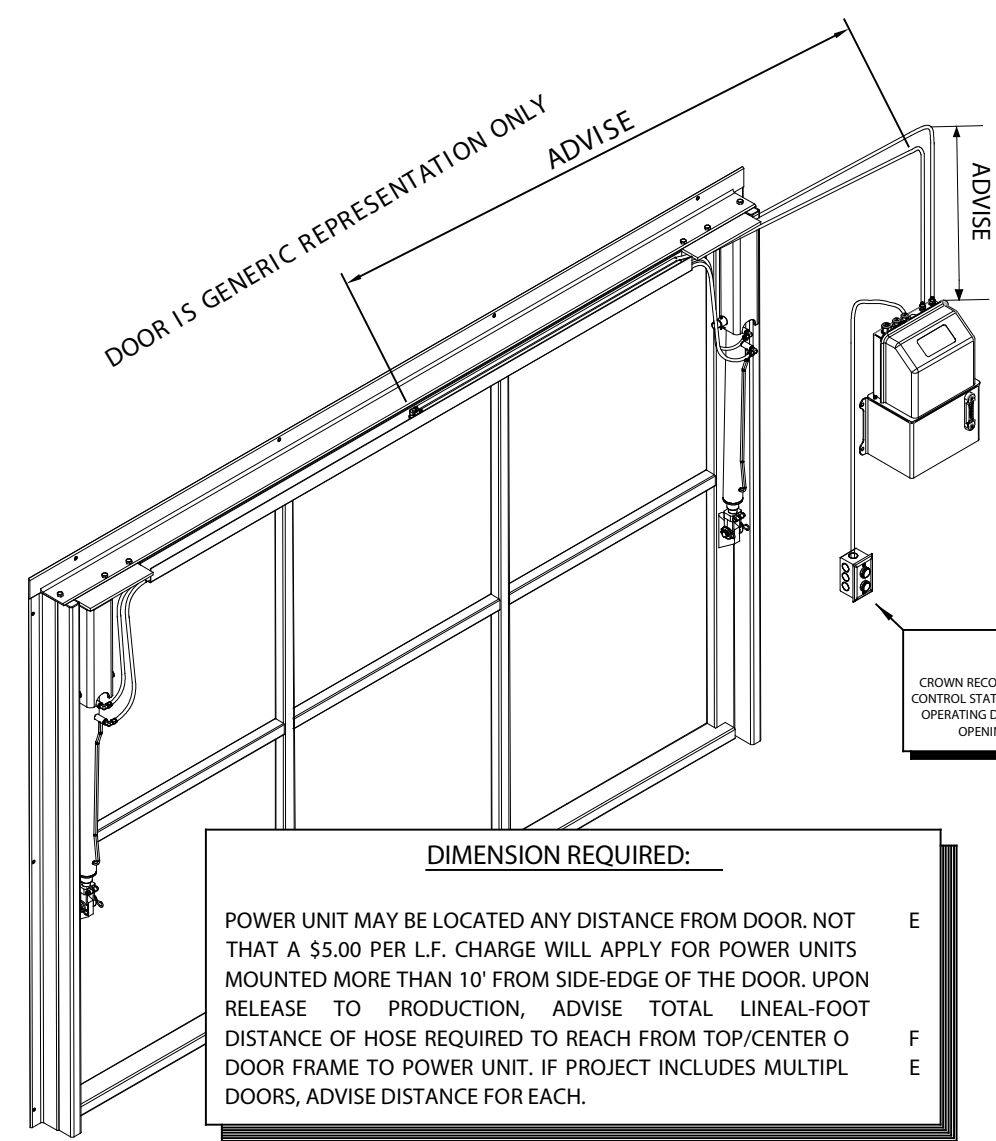


MOTOR OPTIONS
STD. MOTOR UNIT IS ENCLOSED AND INCLUDES LOW-VOLTAGE CONTROL WIRING. OPTIONAL AUX. MOTOR UNIT MAY BE ORIENTED IN EITHER VERT. OR HORIZ. POSITION AND MAY BE BETTER SUITED FOR TIGHT SPACES, HOWEVER, CONTROL WIRING IS 110V.

2 OPTIONAL - AUX. MOTOR UNIT - VERT. POS.
NO SCALE



3 OPTIONAL - AUX. MOTOR UNIT - HORIZ. POS.
NO SCALE



5 ISOMETRIC - INTERIOR VIEW
NO SCALE

SINGLE-SWING HYDRAULIC SYSTEM

MODEL: SINGLE-SWING
DRAWN: 6/2018

SHEET: 4.0

PROPRIETARY AND CONFIDENTIAL

THE INFORMATION CONTAINED WITHIN THIS DRAWING SET IS THE SOLE PROPERTY OF CROWN DOORS, LLC (CROWN). ANY REPRODUCTION - IN PART, OR AS A WHOLE - WITHOUT THE EXPRESSED, WRITTEN CONSENT OF CROWN DOORS, LLC IS PROHIBITED



IMPORTANT NOTICE:

ALL DIMENSIONS SHOWN ARE CRITICAL TO PROPER DOOR OPERATION. IF ANY CHANGES ARE MADE, CONTACT CROWN IMMEDIATELY. ANY CHANGES MAY INCUR ADDITIONAL CHARGES.

ALL PARTS NOT LISTED AS "BY OTHERS" TO BE PROVIDED BY CROWN.

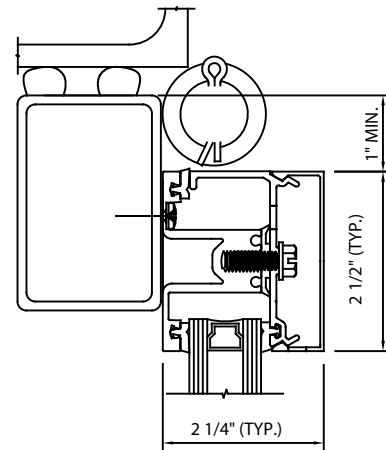
SAMPLE DRAWING



SINGLE-SWING HYDRAULIC SYSTEM

MODEL: SINGLE-SWING
DRAWN: 6/2018

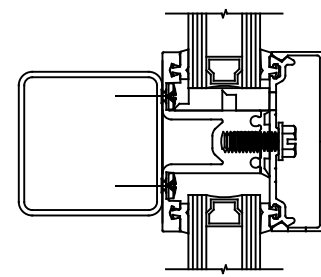
SHEET: 5.0



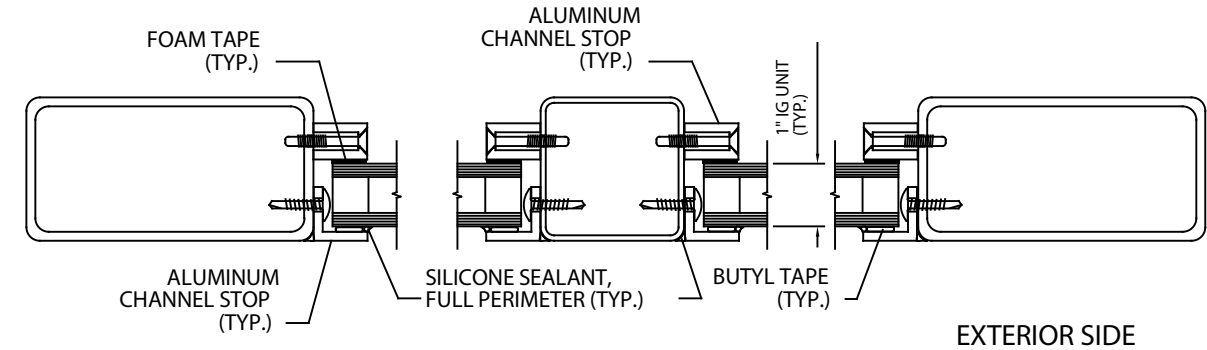
1 FRONT-SET ASSEMBLY
NO SCALE

IMPORTANT NOTE:

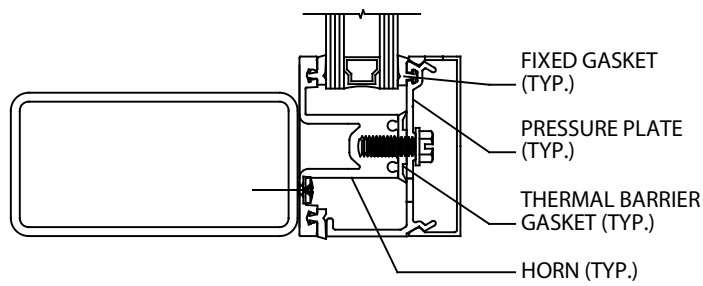
- ALL ALUMINUM RETAINER IS SHIPPED IN FULL-LENGTH PIECES, TO BE CUT TO SIZE AND/OR MITERED, IN FIELD
- DETAILS ARE FOR REPRESENTATION, ONLY, SHOWING CROWN STD. INSIDE-SASH AND FRONT-SET RETAINER SYSTEMS
- GLASS SHOWN IS MOST COMMON. OTHER GLASS TYPES/THICKNESSES ARE AVAILABLE



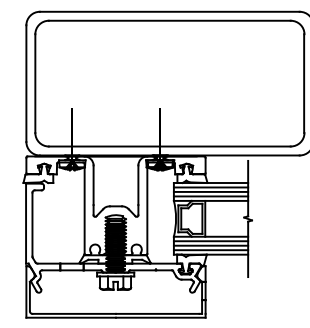
3 FRONT-SET ASSEMBLY
NO SCALE



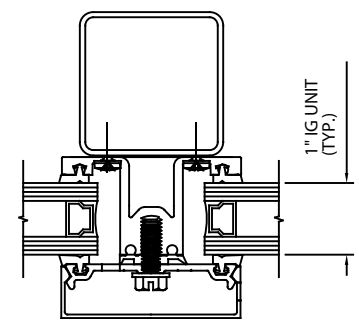
5 INSIDE SASH ASSEMBLY
NO SCALE



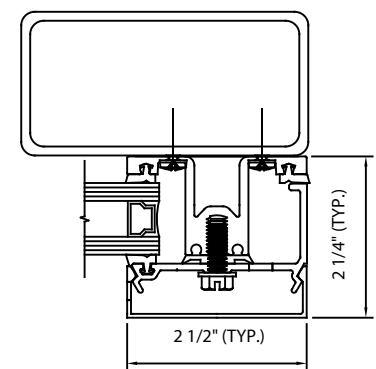
4 FRONT-SET ASSEMBLY
NO SCALE



6 FRONT-SET ASSEMBLY
NO SCALE



7 FRONT-SET ASSEMBLY
NO SCALE



8 FRONT-SET ASSEMBLY
NO SCALE