



A R K T U R A

GIBCA



جیسا

GIBCA FURNITURE INDUSTRY CO. LTD. (LLC)

# Vapor<sup>®</sup> Bloom

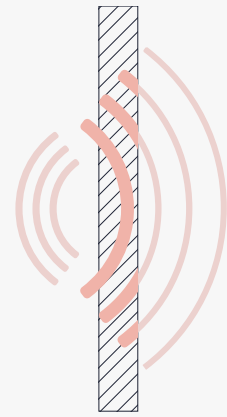


---

Ceiling & Wall **Panels**

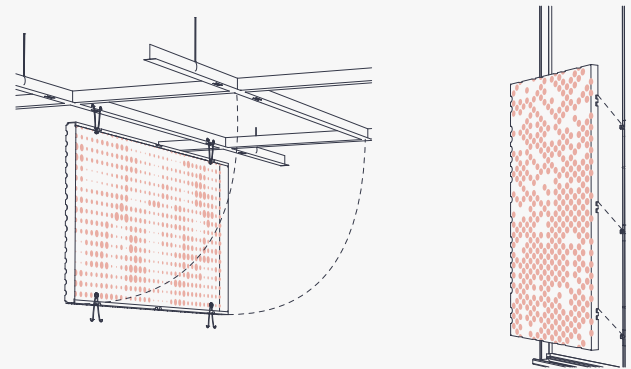
# Our Key Features

Vapor® Bloom's 2'x4' powder-coated aluminum torsion spring panels bring life to spaces through biomorphic patterning that subtly evokes images of scattered foliage or blossoming petals. Add visual depth and illumination to your space by incorporating our integrated InLine Lighting or Backlighting options. Or optimize wellness by enhancing acoustic comfort and reducing the impact of noise with our high-performance Soft Sound® backers.



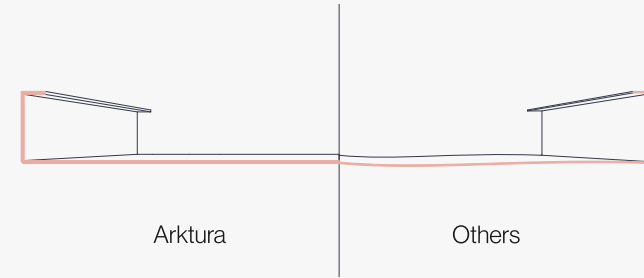
## Reduce Noise & Enhance Acoustics

Vapor®'s optional Soft Sound® backer material reduces the impact of noise from everyday annoyances like ringing, typing, and chatter resulting in a more pleasant and productive environment. The Soft Sound® backer works in concert with the design to help reduce and control reverberations leaving a lasting impression at scales ranging from assembly halls to conference rooms.



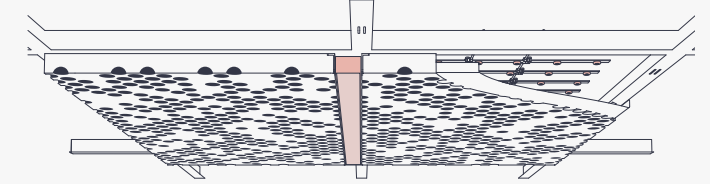
## Easy Installation & Access

Vapor® panels offer easy install, using quick torsion spring attachment across standard ceiling grid systems or simple wall attachment using our Vertika® channel system.



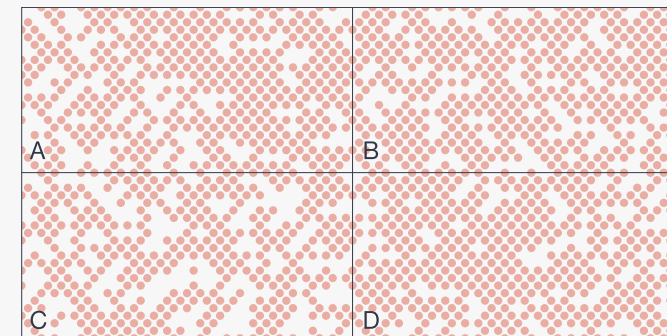
## Superior Flatness & Strength

Vapor® panels are manufactured from aluminum that is on average 50% thicker than the competition, which in combination with our precision processes result in unrivaled flatness.



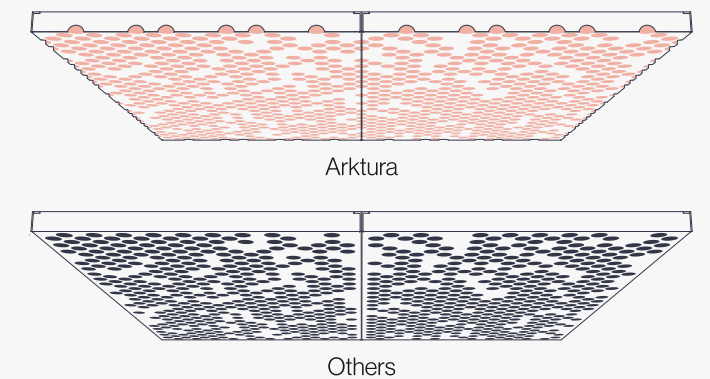
## Integrated Lighting Options

Arktura's Vapor® line makes it easy to seamlessly add illumination and lighting effects to your projects, through available integrated InLine and Backlighting options.



## Preconfigured Solutions

Vapor® panels are scalable, seamlessly tileable preconfigured solutions designed with a dynamic array of criteria and effects in mind. Choose from our growing library of patterns to uniquely impact your project.



## Continuous Pattern Aesthetic

Achieve uninterrupted patterning across your space. Vapor® patterns have perforations that wrap around the edges of each panel, concealing where patterns start and end.

# Inspiration



Create Dynamic Wall to Ceiling Transitions



Illuminate your Space with Arktura Backlighting



Make an Eye-Catching Entrance

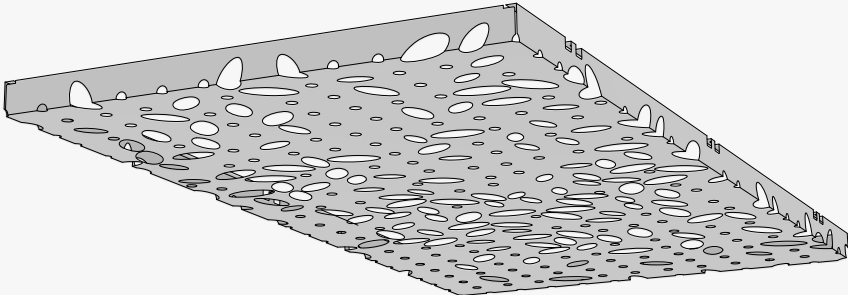
# Overview

- 1 Understanding the System
- 2 Optional Accessories
- 3 Available Finishes
- 4 Product Specifications

## 1 Understanding the System

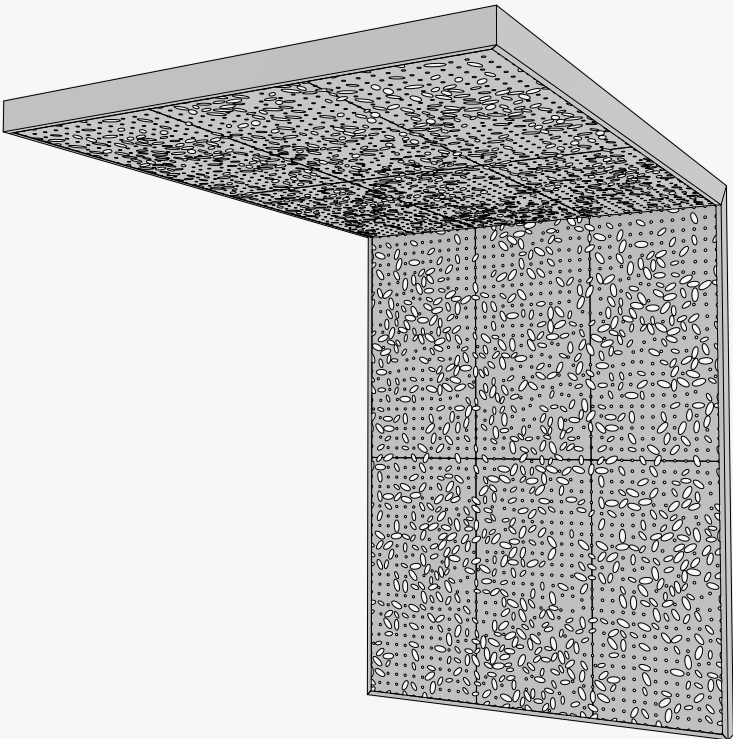
### Standard Panel

Vapor® is a modular accessible aluminum panel system designed to work with torsion grid. Customization is available.



### Seamlessly Join Walls & Ceilings

Vapor® easily transitions from one plane to another and around corners.



# 1 Understanding the System

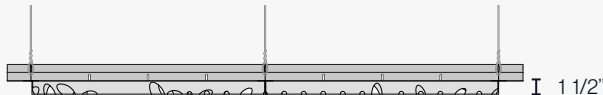
## Understanding the Panel

The pattern surface is created using 4 unique tiles in a specific arrangement that minimizes visual repetition across your space.

- Panel A: 19% Open
- Panel B: 19% Open
- Panel C: 20% Open
- Panel D: 22% Open

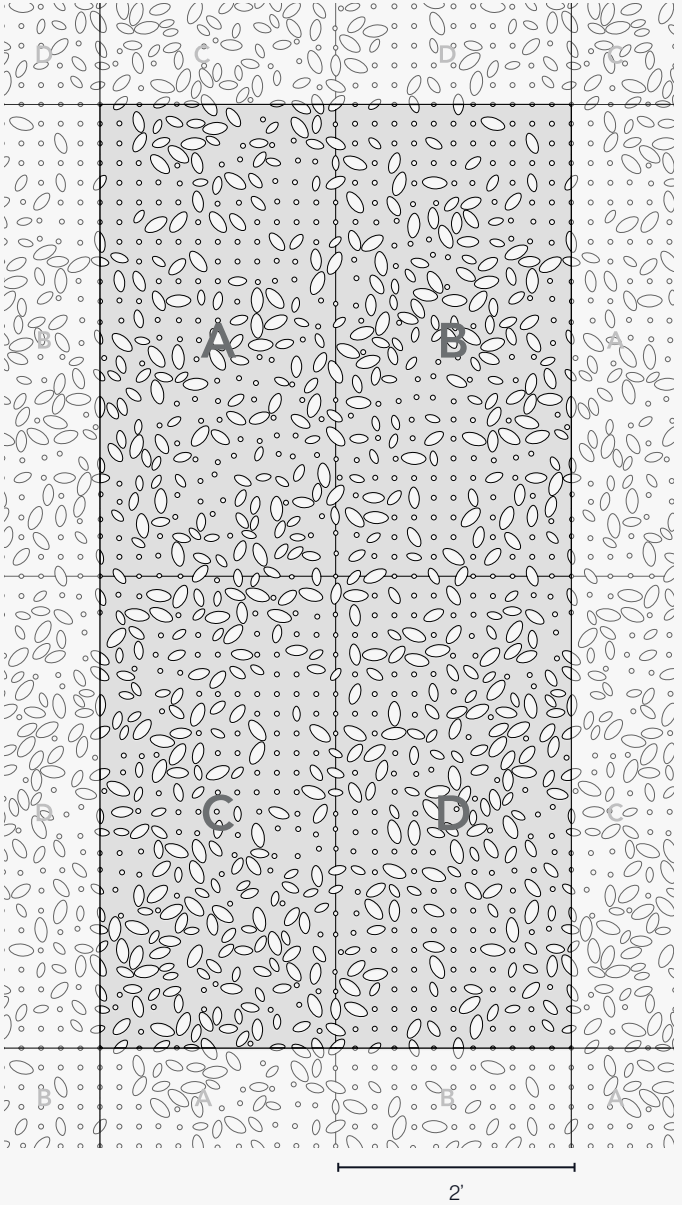
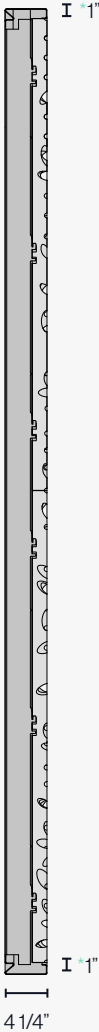
\* Vertika® Trim

Ceiling Section



Panel Configuration, Wall or Ceiling

Wall Section



! All dimensions nominal.

# 1 Understanding the System

## Accessory Options - Ceiling

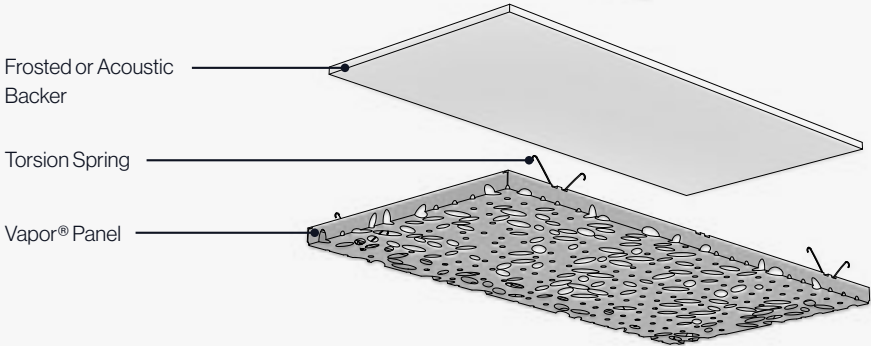
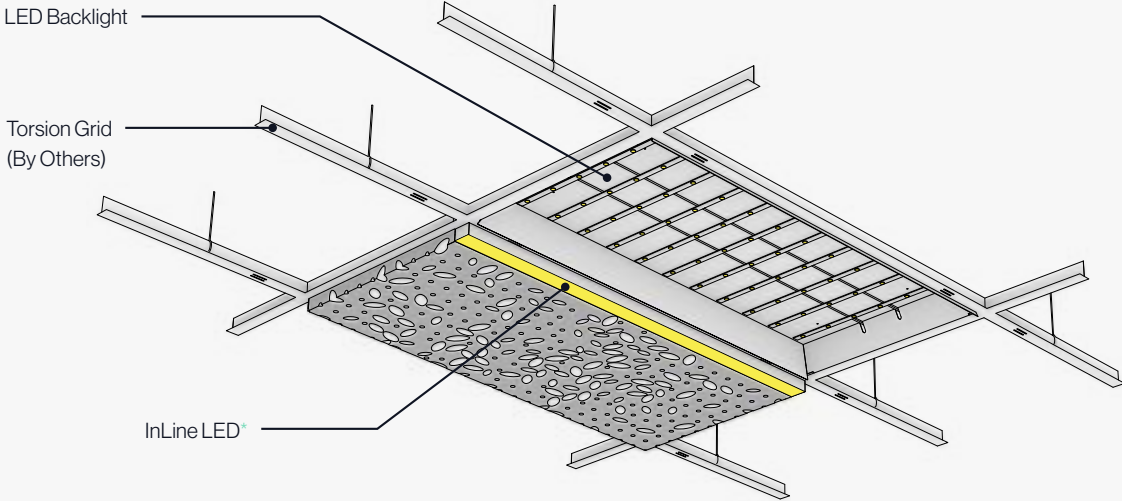
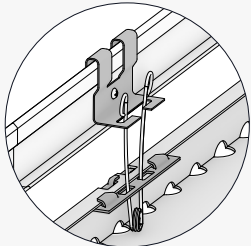
- Frosted light diffusing backer
- 1/2" acoustic backer
- Backlight
- InLine downlight

**i** Check out our Configuration examples on PAGE 10.

\* A Specific Inline light panel is used to accommodate the width of the fixture within the 2' width.

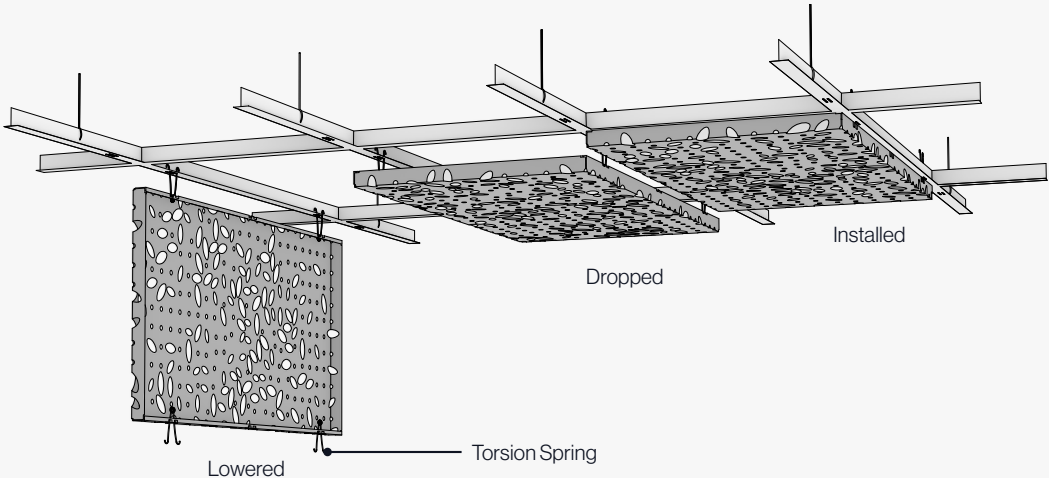
### Torsion Spring Adapter Clip

Interested in using standard t-grid? Use our optional Torsion Spring Adapter Clip.



## Attachment System - Ceiling

Torsion Spring clips allow for rapid install and easy access for maintenance above the grid post install.



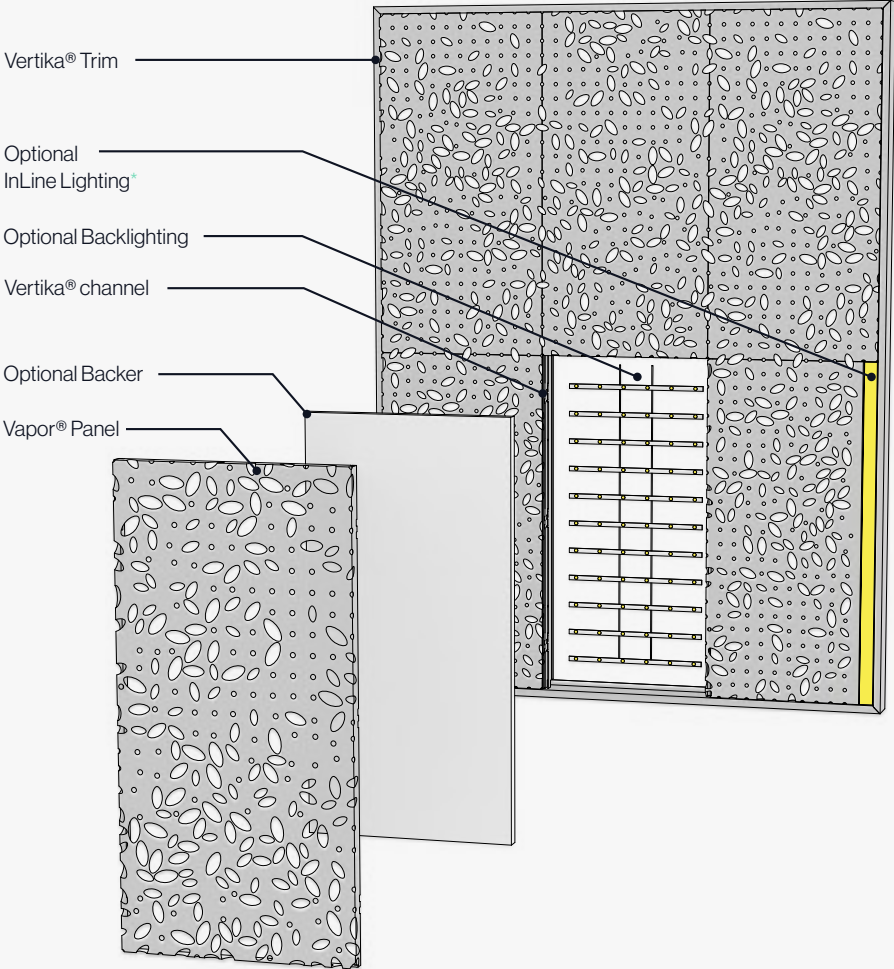
# 1 Understanding the System

## Accessory Options - Wall

- Frosted light diffusing backer
- 1/2" acoustic backer
- Backlight
- InLine light

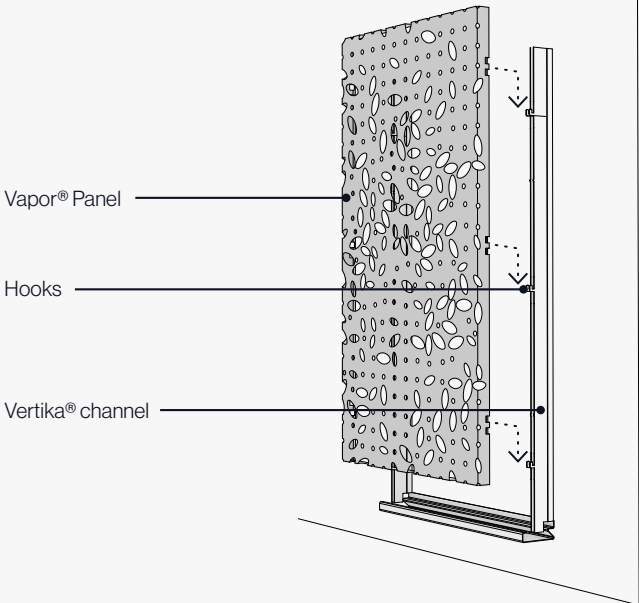
**i** Check out our Configuration examples on PAGE 10.

\* A Specific Inline light panel is used to accommodate the width of the fixture within the 2' width.



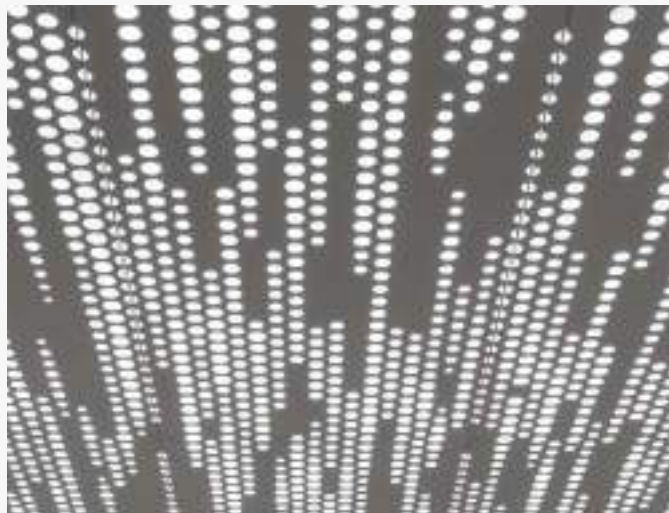
## Attachment System - Wall

Panels are easily installed or removed by sliding onto or lifting off from the system's Vertika® channel hooks.



## 2 Optional Accessories

### Lighting



#### Backlighting

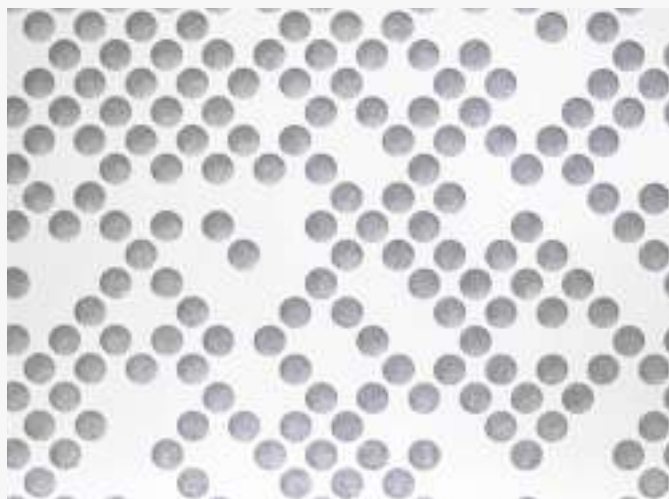
Arktura Backlighting allows you to fully illuminate your ceiling and wall panel installs, creating beautiful evenly lit surfaces. These fixtures are available in high and low output versions, both dimmable. See Backlighting specs details on PAGE 14.



#### InLine Lighting

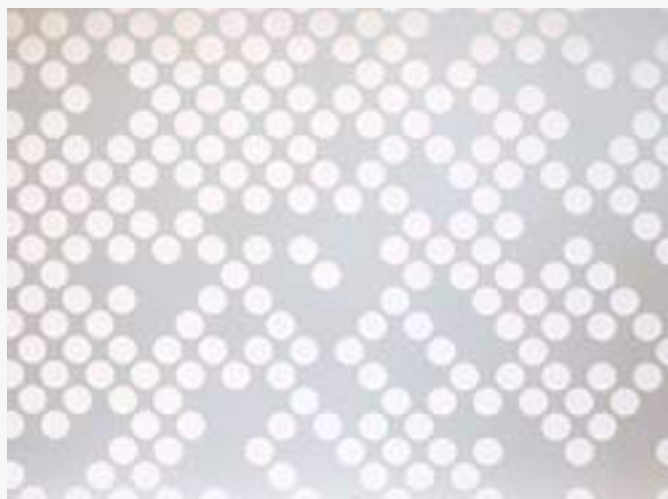
Our InLine Light sits flush with the face of the panels while conveniently attaching to the bottom of the grid. The fixture is available in 4' and 8' lengths. A special side-light Vapor® panel allows the light to straddle its 4' edge while staying within a 24" overall width. See Inline Lighting specs details on PAGE 15.

### Backers



#### Acoustic Backer

We offer various options of Soft Sound® panel inserts to achieve a variety of NRC ratings. Please refer to our True NRC® table of ratings.



#### Translucent Backer

Our proprietary light diffusing backers can be used to create a functional or decorative lighting effect in any space.

 Illustrative images. Patterns may not match the product.



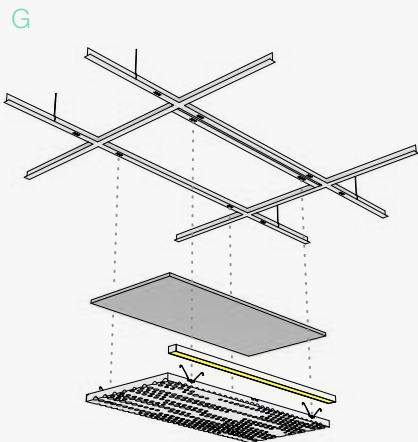
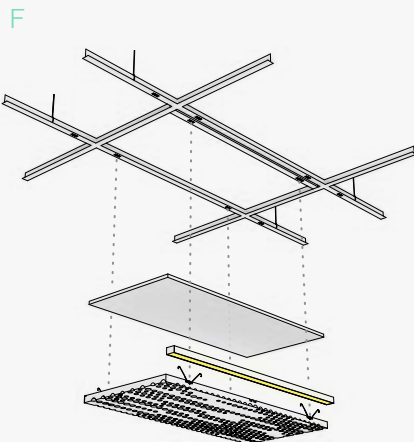
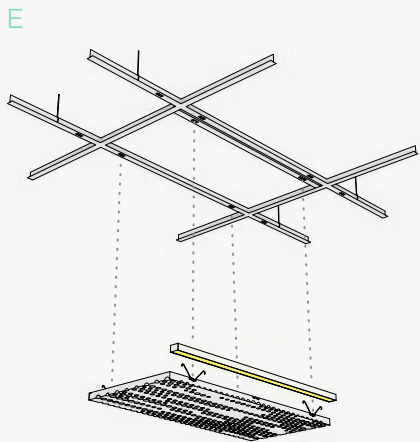
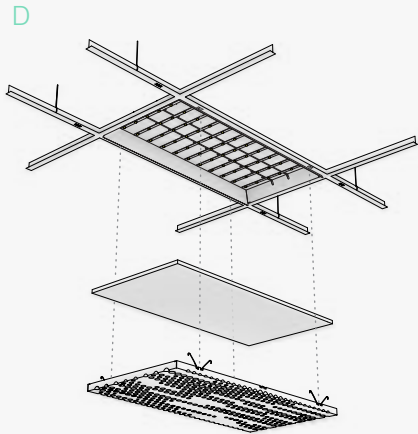
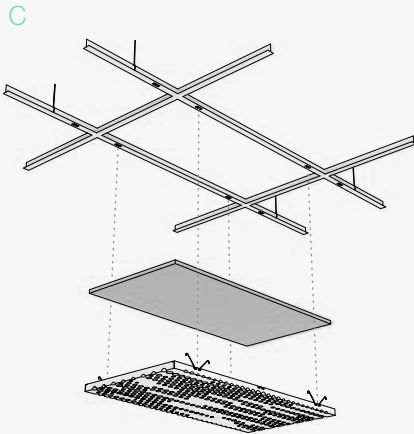
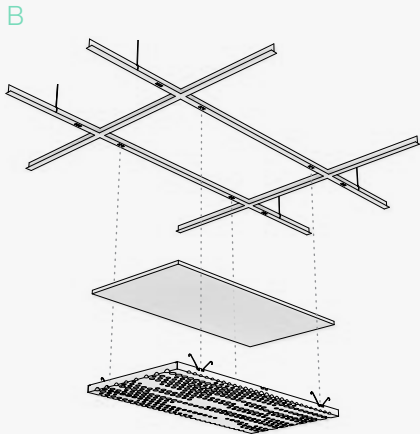
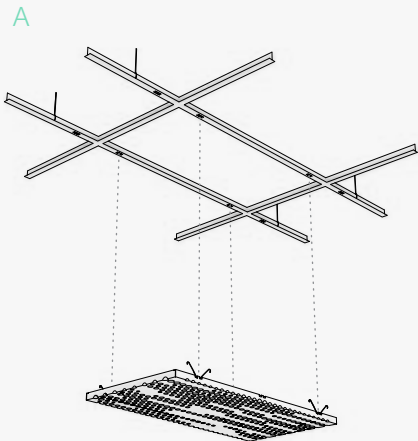
## 2 Optional Accessories

### Possible Configurations

Refer to the chart and corresponding diagrams below for available configuration options.

	No Backer	Translucent Backer	Soft Sound® Backer
No light	A	B	C
Backlight		D	
InLine	E	F	G

**i** Looking to combine backlight with acoustic performance in the same panel? Check out our VaporSoft® line.



**i** Illustrative diagrams. Patterns may not match the product.

### 3 Available Finishes

#### Aluminum Panel

##### Powder Coat Standard Finish

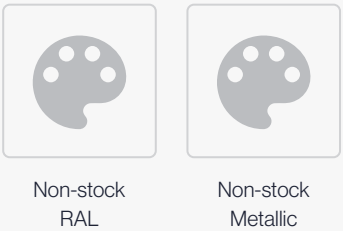


##### Powder Coat Premium Metallic Finish



##### Custom Powder Colors

We offer premium non-stock RAL and custom color match options as well. Contact your sales rep for more information.



\* This color was designed to pair with Armstrong color "WH" grid and trim.

All premium and standard finishes shown are designed for interior specifications. Products may be specified for exterior use, and with all treatments required by local code or facility, including custom color match or specialty finishes. Any changes to specification from interior standard or interior premium will result in a custom powder coat fee.

### 3 Available Finishes

#### Optional Translucent Backer

**Polycarbonate**  
Available in interior and UV stable exterior options.



Frosted

#### Optional Soft Sound® Backer

**Soft Sound®**  
**Color Group A**  
Standard



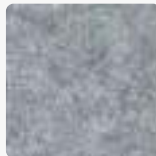
White



Snow



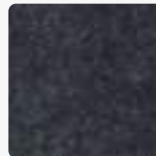
Marble



Heather Gray



Graphite



Carbon



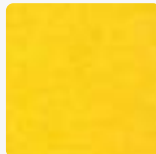
Onyx



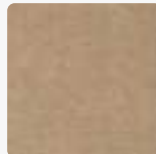
Apple



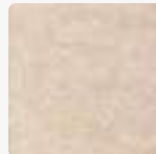
Tangerine



Lemon



Taupe



Sand



Kiwi



Whisper



Sky Blue



Denim

**Soft Sound®**  
**Wood Texture**  
Premium

**i** As with natural wood, variation in color and grain is expected and grain will not align across panels.



Gray Ash

White Oak

Golden Oak

Oak

American Walnut

Charred Oak



Charred Ash

Ebony

**!** Due to the nature of non-woven materials, light may pass through Soft Sound® in any thickness or color. A translucent appearance is most apparent in lighter colors and thin material when a light source is present behind the material. Arkтура makes no claims or warranties about the material performing as opaque in any circumstance. To verify a products performance for light transmittance, a mockup of the specific intended use is recommended.

## 4 Product Specifications & Certifications

### System Specs

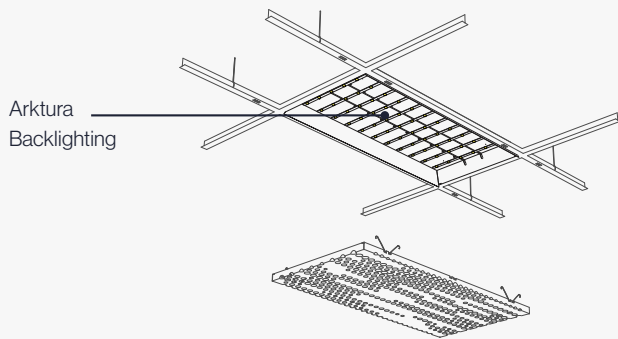
<b>Panel Size (WxHxD)</b>	2' x 4' x 1 1/2"
<b>Material</b>	Aluminum
<b>Openness in Plan</b>	20%
<b>Fire Rating</b>	ASTM E84 - Class A
<b>Acoustics</b> (with optional Soft Sound® backer)	True NRC® 0.75: Ceiling ; E-300 Method True NRC® 0.75: Wall ; F-70 Method
<b>Ceiling Attachment</b>	Torsion Grid (By Others)
<b>Wall Attachment</b>	Vertika® Wall (Refer to Vertika® Brochure)
<b>Accessibility</b>	Torsion Spring Hinge
<b>Trimmability</b>	Yes, per installation manual
<b>Optional Accessories</b>	Acoustic Backer, Translucent Backer, Backlight, InLine Light, Torsion Spring Adapter Clip

# Lighting Specs

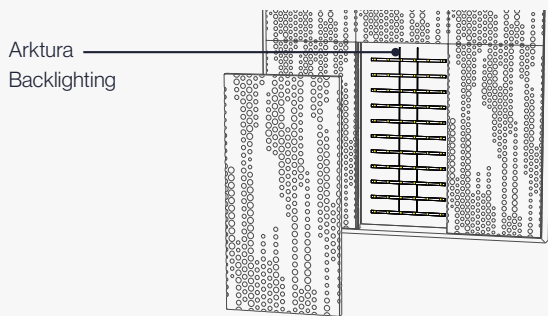
## Arktura Backlighting

Available in dimmable low and high output variations, gives you the power to illuminate spaces and create dynamic visual effects.

### Ceiling

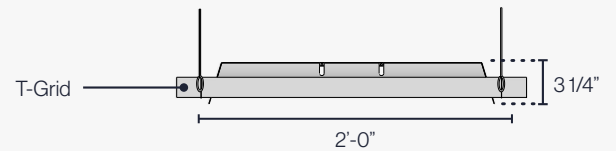


### Vertika® Wall

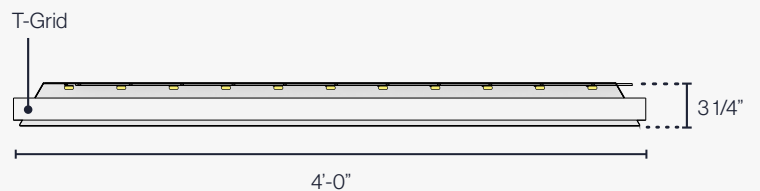


### Sections

Front view



Side view

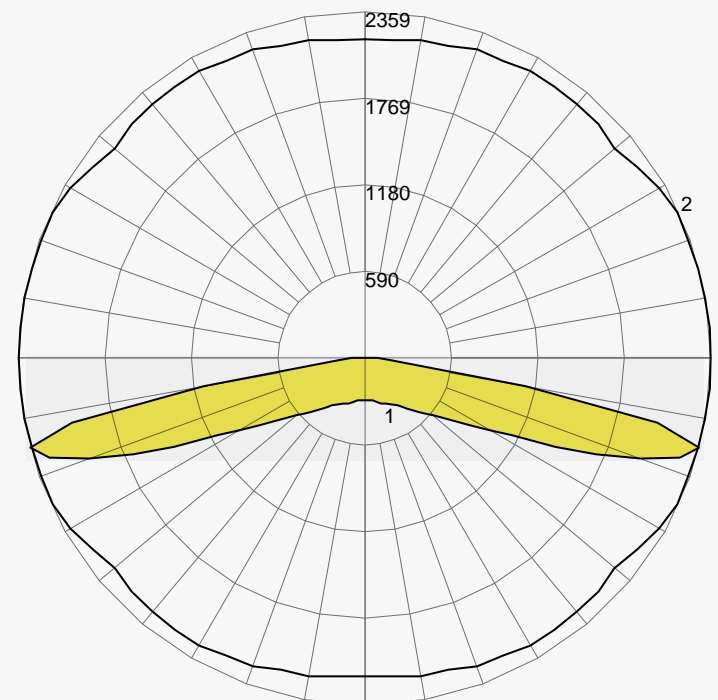


### Photometric

Located At Horizontal Angle = 0, Vertical Angle = 0

# 1 - Vertical Plane Through Horizontal Angles (0 - 180) (Through Max. Cd.)

# 2 - Horizontal Cone Through Vertical Angle (0) (Through Max. Cd.)



### Specs

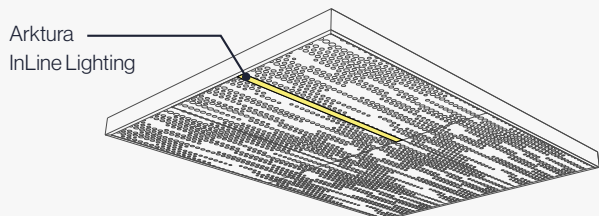
Product Features	Arktura Backlighting Eco	Arktura Backlighting
Total Lumens	2250 Lm/2x4 Panel	5940 Lm/2x4 Panel
Delivered Lumens	2250 Lm/2x4 Panel	5490 Lm/2x4 Panel
Power Consumption	25 Watts 2x4 Panel	66 Watts 2x4 Panel
CRI	80+	
Color Temperatures	3000K, 3500K, 4100K	
Size (LxWxD)	24"x48"x3 1/4"	
UL Rating	Listed	
Voltage	24 Volts	
Dimming Options	MLV, 1-10V, 0-10V	
Plenum Rated Wire	Standard	

# Lighting Specs

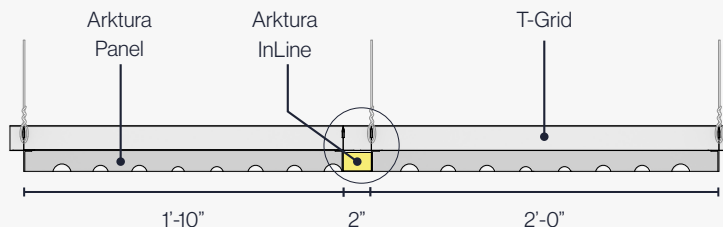
## Arktura InLine Lighting

Makes it easy to seamlessly integrate linear lighting into the design of your paneling.

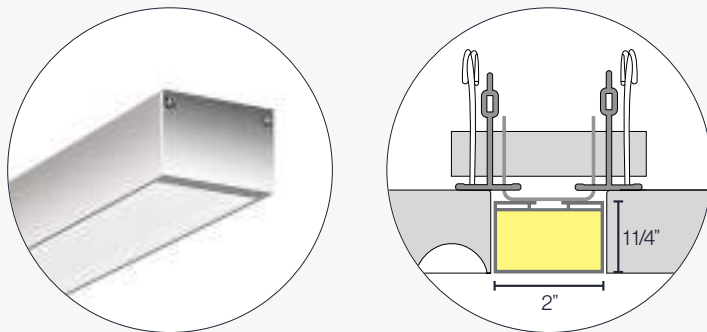
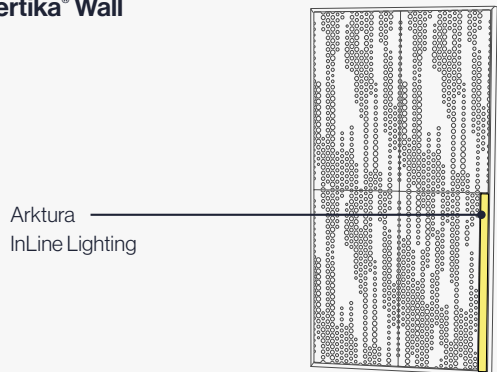
### Ceiling



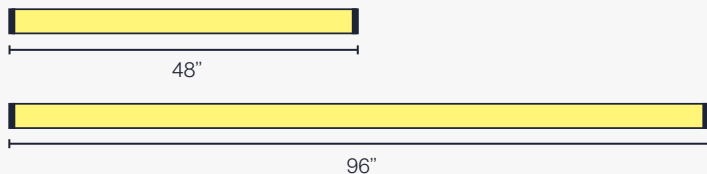
### Elevations



### Vertika® Wall

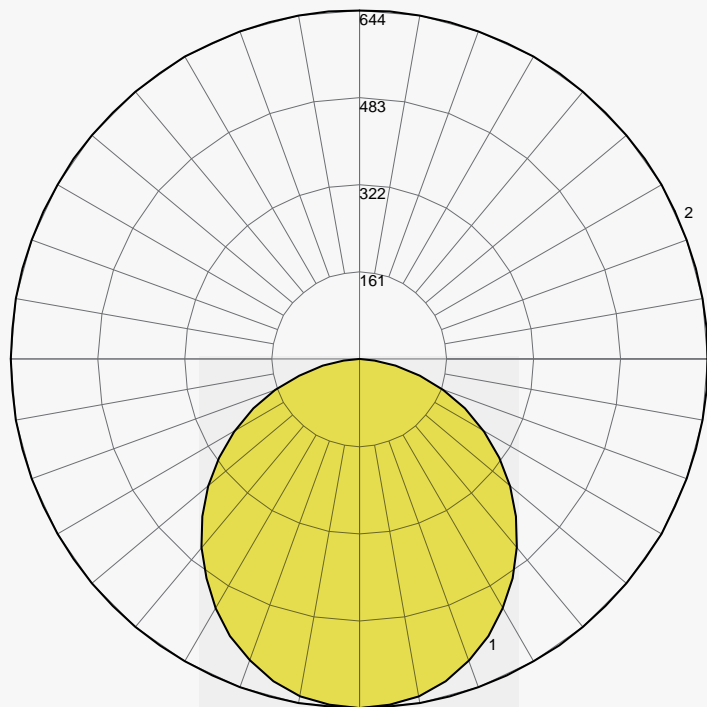


### Side - Length Options



### Photometric

Located At Horizontal Angle = 0, Vertical Angle = 0  
 # 1 - Vertical Plane Through Horizontal Angles (0 - 180) (Through Max. Cd.)  
 # 2 - Horizontal Cone Through Vertical Angle (0) (Through Max. Cd.)



### Specs

Product Features	Arktura InLine Eco	Arktura InLine
Total Lumens	640 Lm/Ft	1280 Lm/Ft
Delivered Lumens	480 Lm/Ft	960 Lm/Ft
Power Consumption	6W/Ft	12W/Ft
CRI	95+	
Color Temperatures	3000K, 3500K, 4000K	
Size (LxWxD)	48" x 2" x 1.25", 96" x 2" x 1.25"	
UL Rating	Recognized	
Voltage	24 Volts	
Dimming Options	MLV, 1-10V, 0-10V	
Plenum Rated Wire	Standard	

# Product Line

## Design Options

Vapor® offers a growing library of metal panels in preconfigured seamlessly tileable patterns that can also be mixed and matched as desired. For additional acoustic performance, take a look at our Soft Sound® faced VaporSoft®.



VAPOR® TRAIL



VAPOR® PIXEL



VAPOR® CUMULA



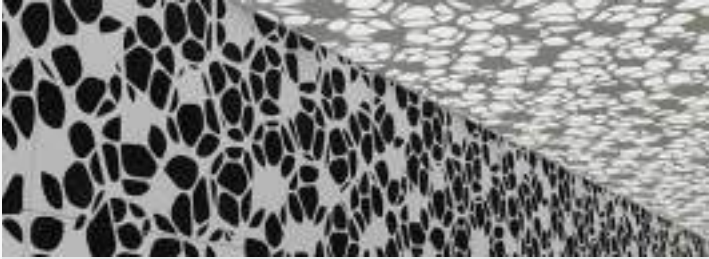
VAPOR® BYTE



VAPOR® CLUSTER



VAPOR® SYNTAX



VAPOR® SHIFT



VAPOR® CORA



VAPOR® FREQUENCY



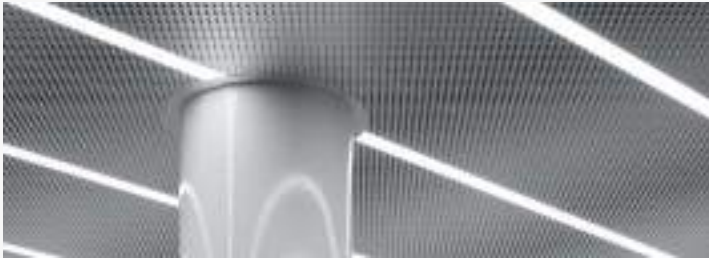
VAPOR® LIANA

# Product Line

## Design Options



VAPOR® SKY



VAPOR® GRADIENT



VAPOR® ELEMENT



VAPOR® BLOOM



VAPOR® BREEZE



VAPOR® SOLID



VAPOR® TRANSIT



VAPOR® VERVE



VAPOR® BOND