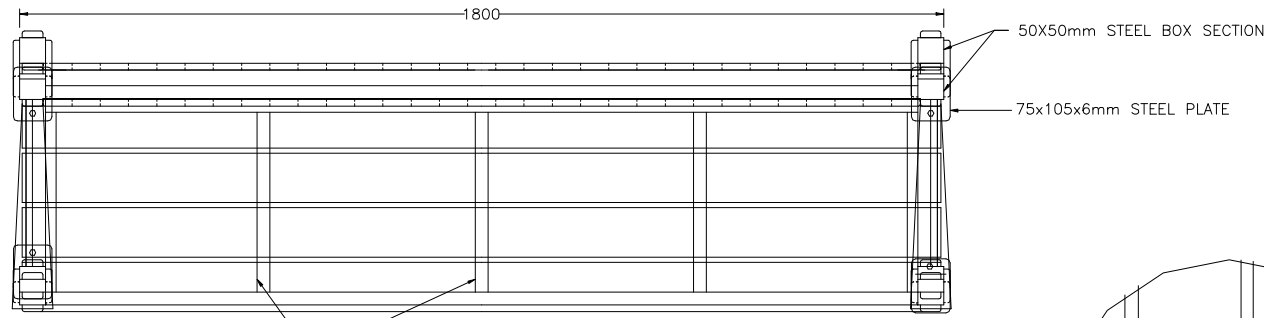
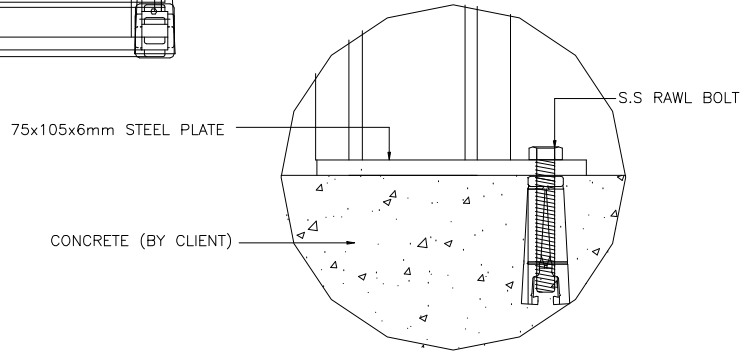


PARK BENCH

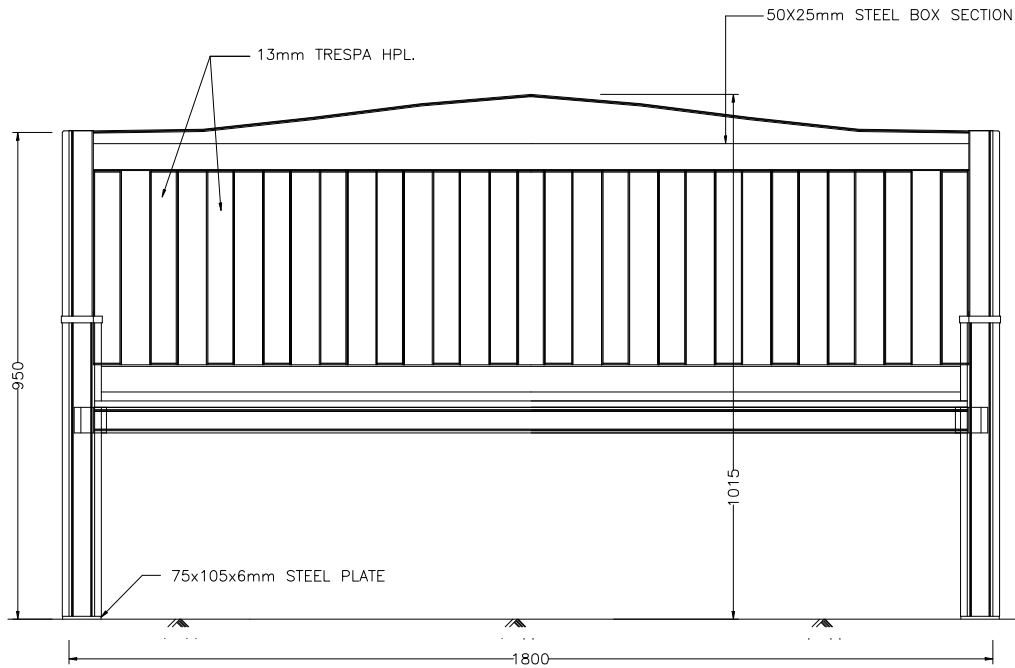
MODEL No. G/PB-17T



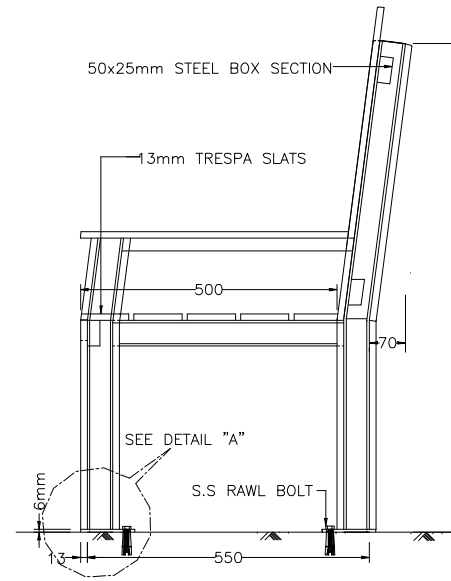
50x25mm STEEL BOX SECTION
PLAN



DETAIL AT "A"



ELEVATION



SIDE VIEW

GENERAL NOTES & SPECIFICATIONS

TRESPA ATHLON IS A FLAT PANEL BASED ON THERMOSETTING RESINS, HOMOGENEOUSLY REINFORCED WITH WOOD FIBERS AND MANUFACTURED UNDER HIGH PRESSURE AND TEMPERATURE, TRESPA IS UV RESISTANT, WEATHER RESISTANT, MOISTURE RESISTANT, RESISTANT TO EXTREME WEATHER FLUCTUATIONS AND IS FIRE RETARDANT.

1. BENCH SEAT AND BACK REST MADE OF 13mm TRESPA FLAT PANELS
COLOUR : REFER COLOUR OPTIONS
2. BENCH SUPPORT FRAME MADE OF HIGH QUALITY GRADE STEEL BOX SECTION
FINISH : POLYESTER POWDER COATED TO BLACK COLOUR (RAL-9011)
3. ALL FIXING BOLTS & SCREWS ARE STAINLESS STEEL
4. ALL DIMENSIONS ARE IN MM

THE MANUFACTURER RESERVES THE RIGHT TO IMPROVE AND CHANGE PRODUCT SPECIFICATIONS WITHOUT NOTICE.

Rev.	Description	Date:

Client:

Project:

INTRODUCTION

Drawing title:

PARK BENCH
MODEL No. G/PB-17T

Prepared by:

GIBCO
FURNITURE INDUSTRY CO.LTD. (LLC)
P.O.Box 20923 AJMAN, U.A.E
TEL.:06-7436888
FAX.:06-7436903
TLX.:68082 GIBCA EM
EMAIL: gibtrd@emirates.net.ae
WEB SITE: www.gifuoe.com

Drawn by: **J.J** Date: 11.06.2003

Scale: 1:10 Sheet No: 01 of 01

Approved by: (C.K.U.) Drawing No: Rev.

Approved by: (F.B.) G/TB/3691-01 0